

PORTA ROMANA



Urchin Chandelier

MCL61 | Flint White

Shown in Flint White

WIDTH
1000mm | 39 1/2"

CONSTRUCTED FROM
Forged steel with decorative finish

MAX WATTAGE
60W



MINIMUM DROP
1200mm | 47 1/4"

WEIGHT
23.2 kg | 51.04 lbs

LAMP
13 x Gold Tinted LED Filament Type
G16 _ Medium Base

MAXIMUM DROP
2200mm | 86 3/4"

VOLTAGE
120V

DROPS AVAILABLE
2200mm / Custom

FINISHES
1 Bodu Gold
2 Bodu Silver
3 Flint White

Urchin Chandelier

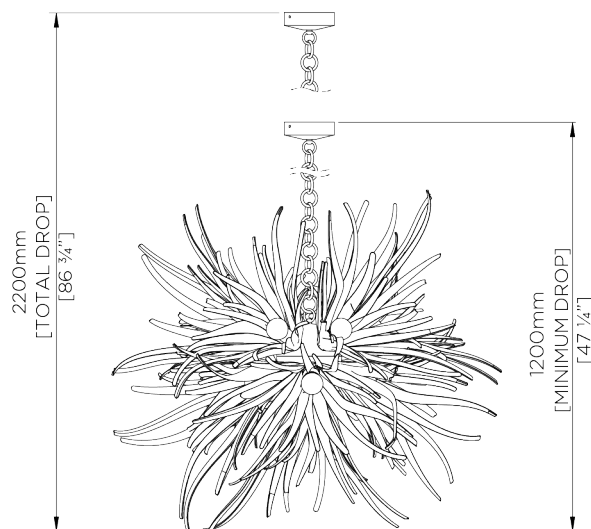
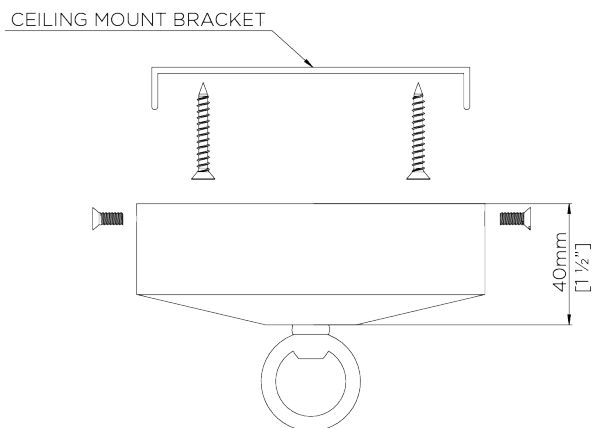
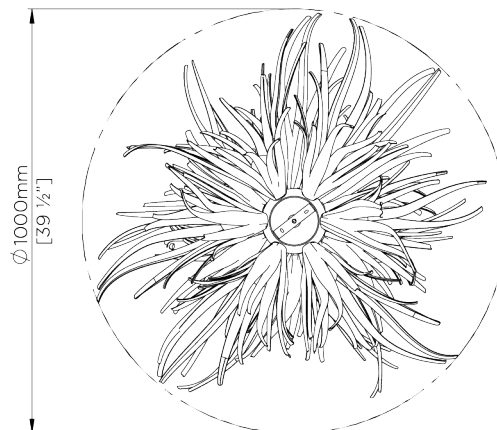
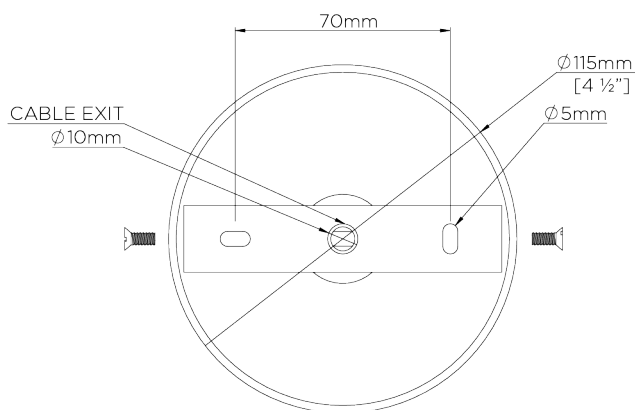
MCL61

WIDTH
1000mm | 39 1/2"

MINIMUM DROP
1200mm | 47 1/4"

MAXIMUM DROP
2200mm | 86 3/4"

DROPS AVAILABLE
2200mm / Custom



Due to its weight (51 ¼ lb/23.2kg) this luminaire must be mounted or supported independantly of an outlet box

Please make sure the canopy mount bracket is firmly attached to a joist or noggin which is capable of supporting the weight of the chandelier

© Porta Romana 2022

Dimensions and weights are provided as a guide. All Porta Romana Products are made by hand and variations can occur in some products. The products you are buying or marketing are exclusive designs belonging to Porta Romana. Please do not submit design sheets featuring our products to other manufacturing companies nor to other parties who might. Any manufacturer found to be reproducing Porta Romana products will be breaching copyright law and will be actively pursued

PR

PORTAROMANA.COM