

PORTA ROMANA



Trinket Pendant

MCL62 | Clear with Brass

Shown in Clear with Brass

WIDTH
150mm | 6"

CONSTRUCTED FROM
Blown glass and cast brass

MAX WATTAGE
25W

MINIMUM DROP
320mm | 12 3/4"

WEIGHT
1.3 kg | 2.86 lbs

LAMP
1 x T-4 G-9 Lamp

MAXIMUM DROP
1224mm | 48 1/4"

VOLTAGE
120V

DROPS AVAILABLE
1224mm / Custom

FINISHES
1 Clear with Brass

Trinket Pendant

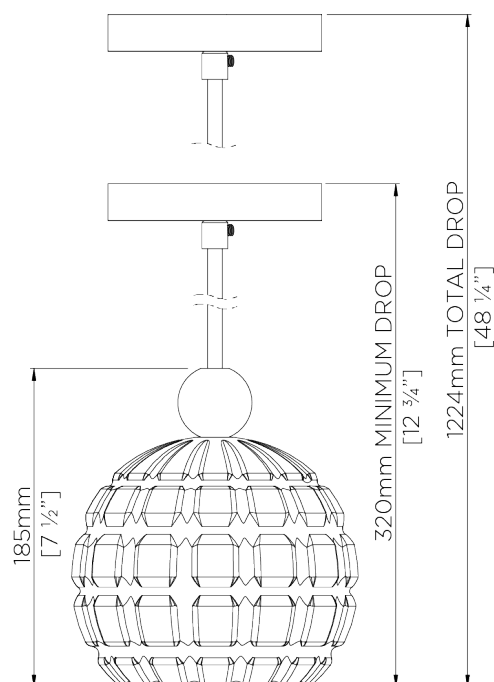
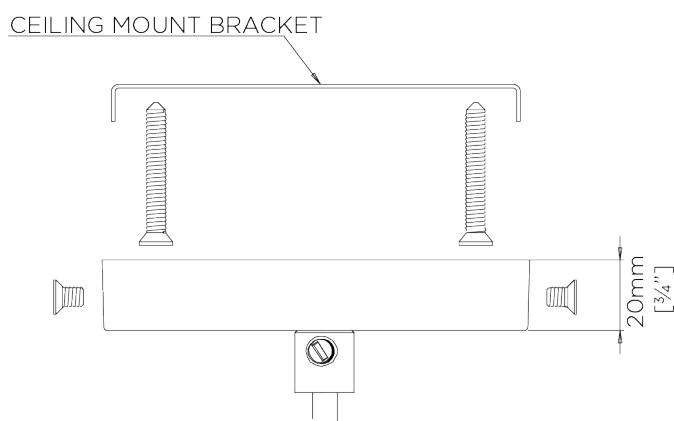
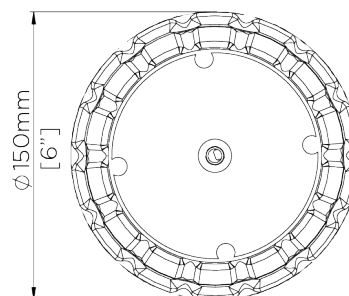
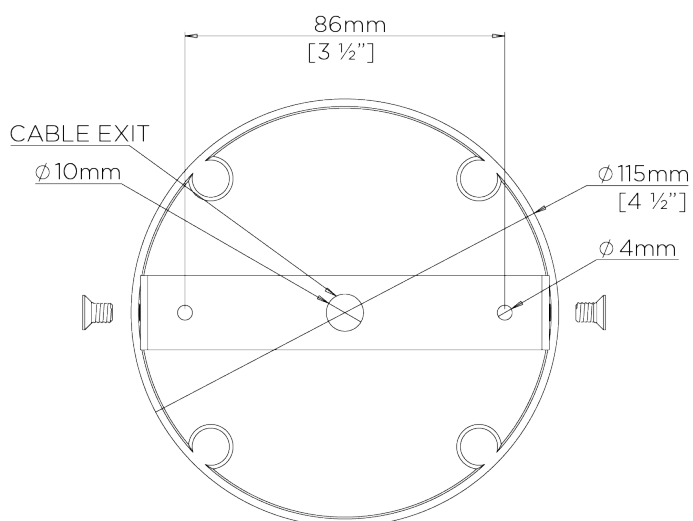
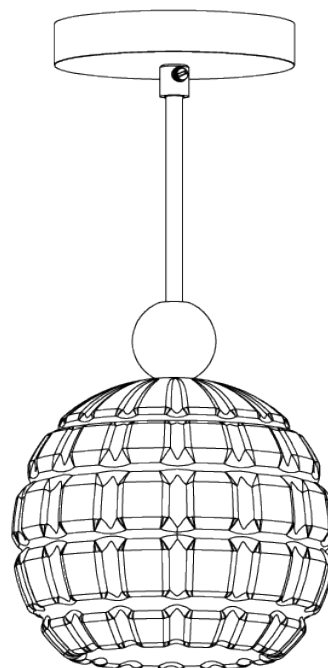
MCL62

WIDTH
150mm | 6"

MINIMUM DROP
320mm | 12 3/4"

MAXIMUM DROP
1224mm | 48 1/4"

DROPS AVAILABLE
1224mm / Custom



© Porta Romana 2022

Dimensions and weights are provided as a guide. All Porta Romana Products are made by hand and variations can occur in some products. The products you are buying or marketing are exclusive designs belonging to Porta Romana. Please do not submit design sheets featuring our products to other manufacturing companies nor to other parties who might. Any manufacturer found to be reproducing Porta Romana products will be breaching copyright law and will be actively pursued