

PORTA ROMANA



Scallop Shell Wall Light

TWL52 | Antiqued Plaster

Shown in Antiqued Plaster

HEIGHT
590mm | 23 1/4"

WIDTH
515mm | 20 1/2"

CONSTRUCTED FROM
Cast composite and steel with
decorative finish

WEIGHT
8.5 kg | 18.7 lbs

PROJECTION
190mm | 7 1/2"

MAX WATTAGE
25W

LAMP
1 x T-4 G-9 Lamp

VOLTAGE
120V



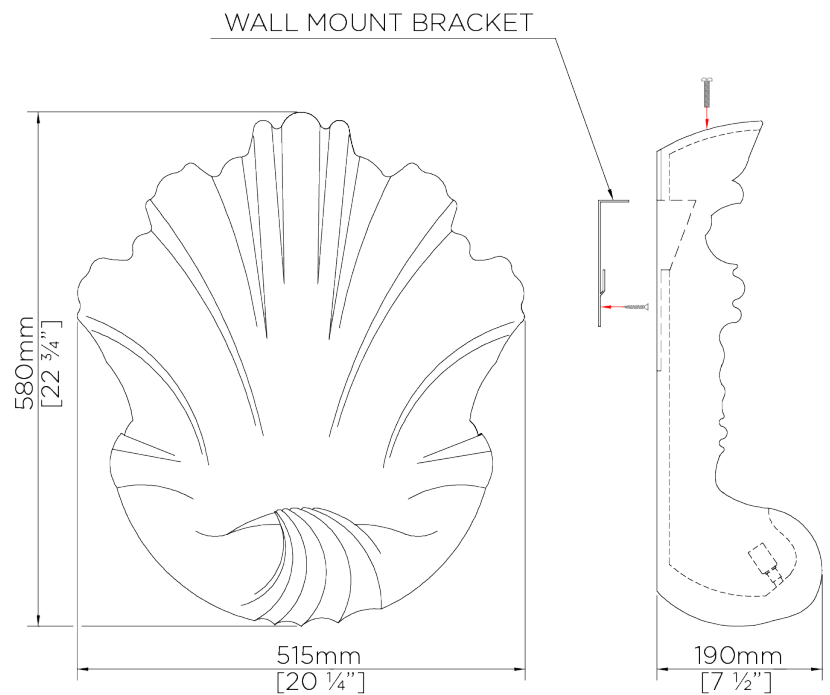
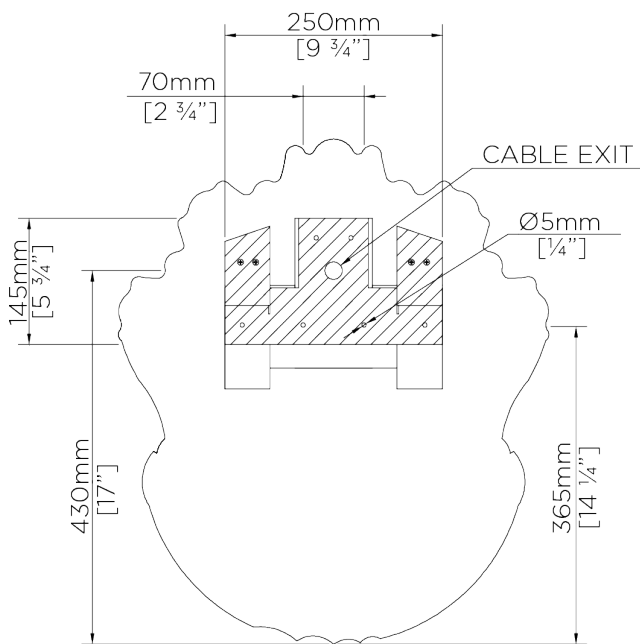
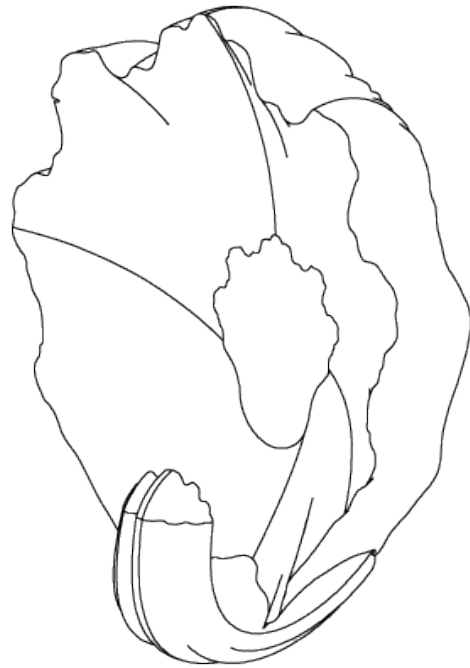
FINISHES
1 Antiqued Plaster

Scallop Shell Wall Light

TWL52

HEIGHT
590mm | 23 1/4"

WIDTH
515mm | 20 1/2"



© Porta Romana 2022

Dimensions and weights are provided as a guide. All Porta Romana Products are made by hand and variations can occur in some products. The products you are buying or marketing are exclusive designs belonging to Porta Romana. Please do not submit design sheets featuring our products to other manufacturing companies nor to other parties who might. Any manufacturer found to be reproducing Porta Romana products will be breaching copyright law and will be actively pursued

PR

PORTAROMANA.COM