

PORTA ROMANA



Round Lartigue Chandelier

MCL13 | Nickel

Nickel with Clear Crystals shown with 4" Cylinder in Putty Silk

WIDTH
870mm | 34 1/4"

MINIMUM DROP
340mm | 13 1/2"

MAXIMUM DROP
1315mm | 52"

DROPS AVAILABLE
1315mm / Custom

CONSTRUCTED FROM
Nickel plated steel or steel with decorative finish with crystal cubes

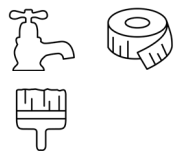
WEIGHT
7 kg | 15.4 lbs

RECOMMENDED SHADE
4" Cylinder

MAX WATTAGE
25W

LAMP
6 x Torpedo Type B10 Candelabra Base

VOLTAGE
120V



FINISHES
1 French Brass
2 Nickel

Round Lartigue Chandelier

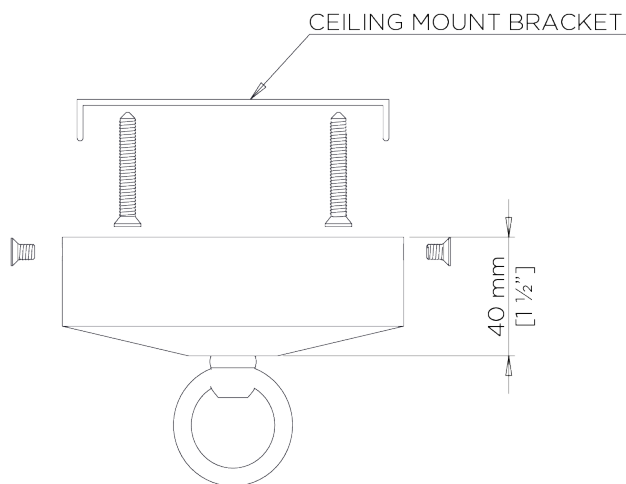
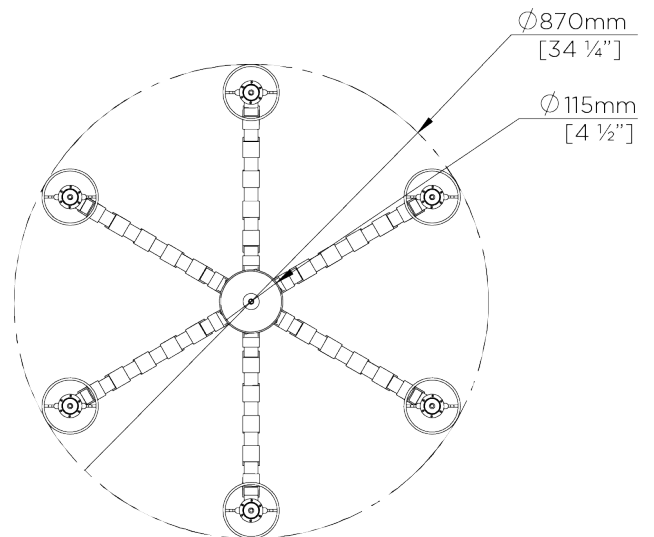
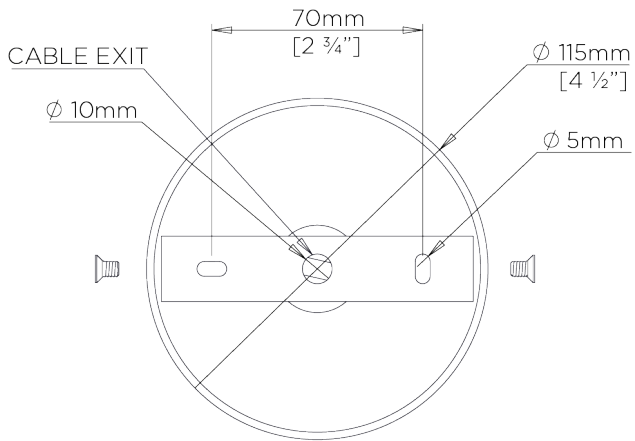
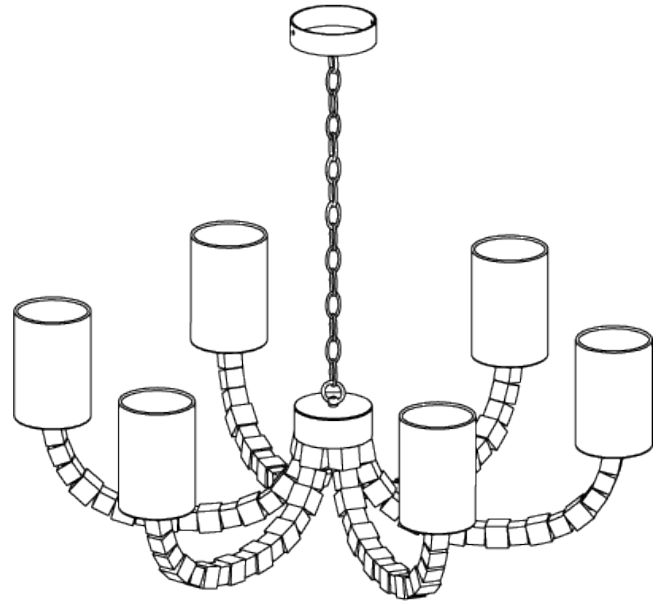
MCL13

WIDTH
870mm | 34 1/4"

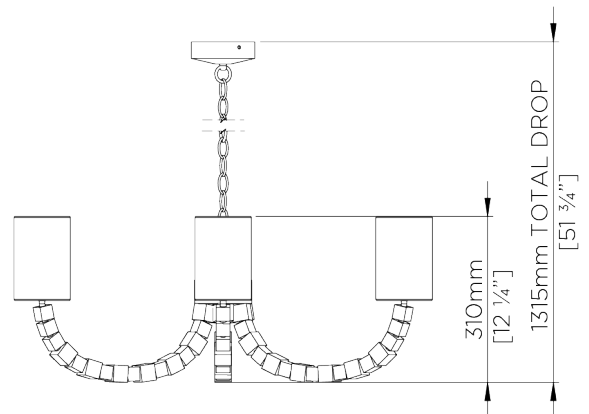
MINIMUM DROP
340mm | 13 1/2"

MAXIMUM DROP
1315mm | 52"

DROPS AVAILABLE
1315mm / Custom



CEILING ROSE DETAIL



© Porta Romana 2022

Dimensions and weights are provided as a guide. All Porta Romana Products are made by hand and variations can occur in some products. The products you are buying or marketing are exclusive designs belonging to Porta Romana. Please do not submit design sheets featuring our products to other manufacturing companies nor to other parties who might. Any manufacturer found to be reproducing Porta Romana products will be breaching copyright law and will be actively pursued