

# PORTA ROMANA



## Oval Lartigue Chandelier

MCL11 | Burnt Silver

Clear Crystal with Burnt Silver shown with 4" Putty Silk shades

**WIDTH**  
1210mm | 47 3/4"

**DEPTH**  
722mm | 28 1/2"

**MINIMUM DROP**  
735mm (500mm rod)

**DROPS AVAILABLE**  
735mm / 1035mm / 1335mm /  
Custom

**CONSTRUCTED FROM**  
Nickel plated steel or steel with  
decorative finish with crystal cubes

**WEIGHT**  
9 kg | 19.8 lbs

**RECOMMENDED SHADE**  
4" Cylinder

**MAX WATTAGE**  
25W

**LAMP**  
8 x Topedo Type B10 Candelabra  
Base

**VOLTAGE**  
120V



**FINISHES**  
1 Burnt Silver  
2 French Brass  
3 Nickel

# Oval Lartigue Chandelier

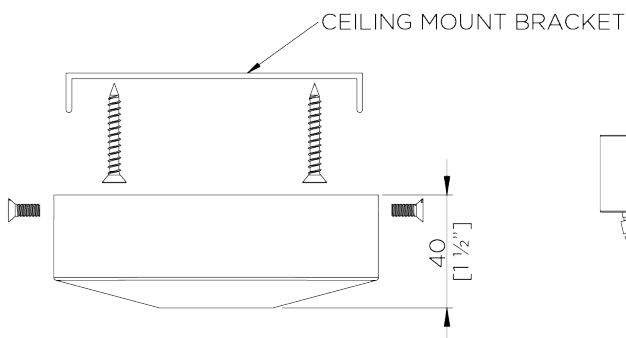
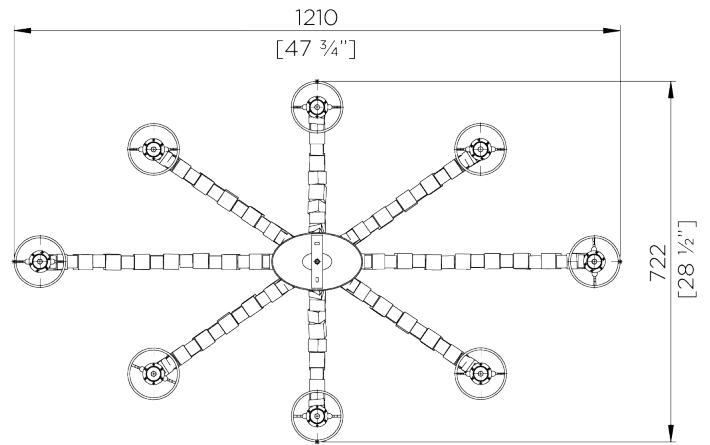
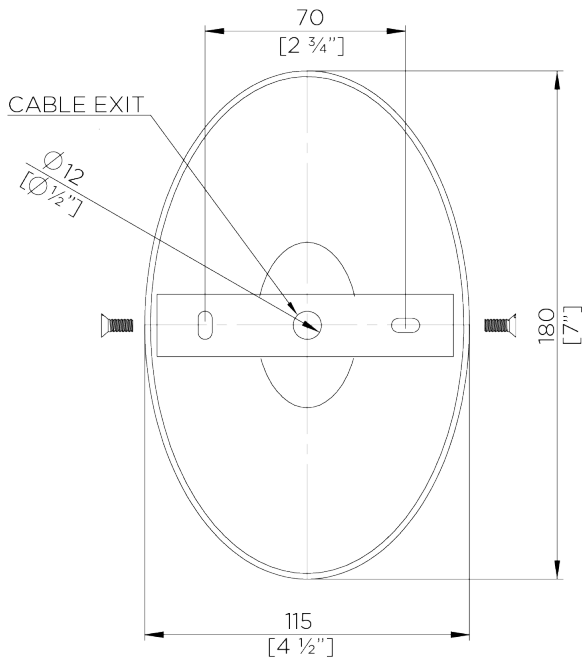
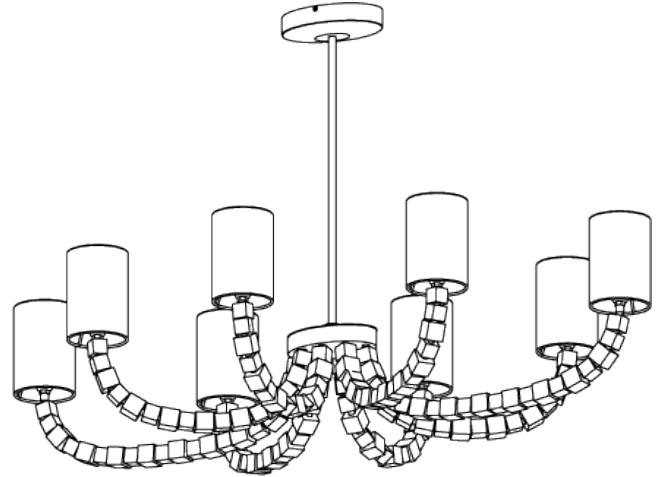
## MCL11

WIDTH  
1210mm | 47 3/4"

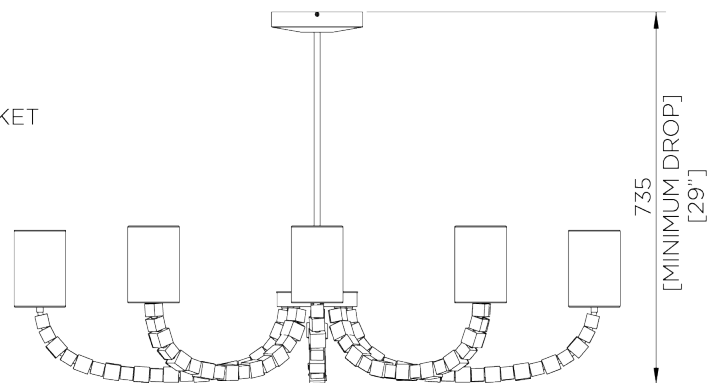
DEPTH  
722mm | 28 1/2"

MINIMUM DROP  
735mm (500mm rod)

DROPS AVAILABLE  
735mm / 1035mm / 1335mm / Custom



CEILING ROSE DETAIL



© Porta Romana 2022

Dimensions and weights are provided as a guide. All Porta Romana Products are made by hand and variations can occur in some products. The products you are buying or marketing are exclusive designs belonging to Porta Romana. Please do not submit design sheets featuring our products to other manufacturing companies nor to other parties who might. Any manufacturer found to be reproducing Porta Romana products will be breaching copyright law and will be actively pursued