

PORTA ROMANA



Lilburn Wall Light Large

TWL63L | Brass

Brass shown with 3" Empire in Natural Linen

HEIGHT
340mm | 13 1/2"

CONSTRUCTED FROM
Cast brass or nickel plated brass with steel

RECOMMENDED SHADE
3" Empire



HEIGHT WITH SHADE
340mm | 13 1/2"

WEIGHT
0.7 kg | 1.54 lbs

MAX WATTAGE
25W

WIDTH
115mm | 4 3/4"

PROJECTION
133mm | 5 1/4"

LAMP
2 x T-4 G-9 Lamp

WIDTH WITH SHADE
115mm | 4 3/4"

VOLTAGE
120V

FINISHES

- 1 Brass
- 2 Gunmetal
- 3 Nickel

Lilburn Wall Light Large

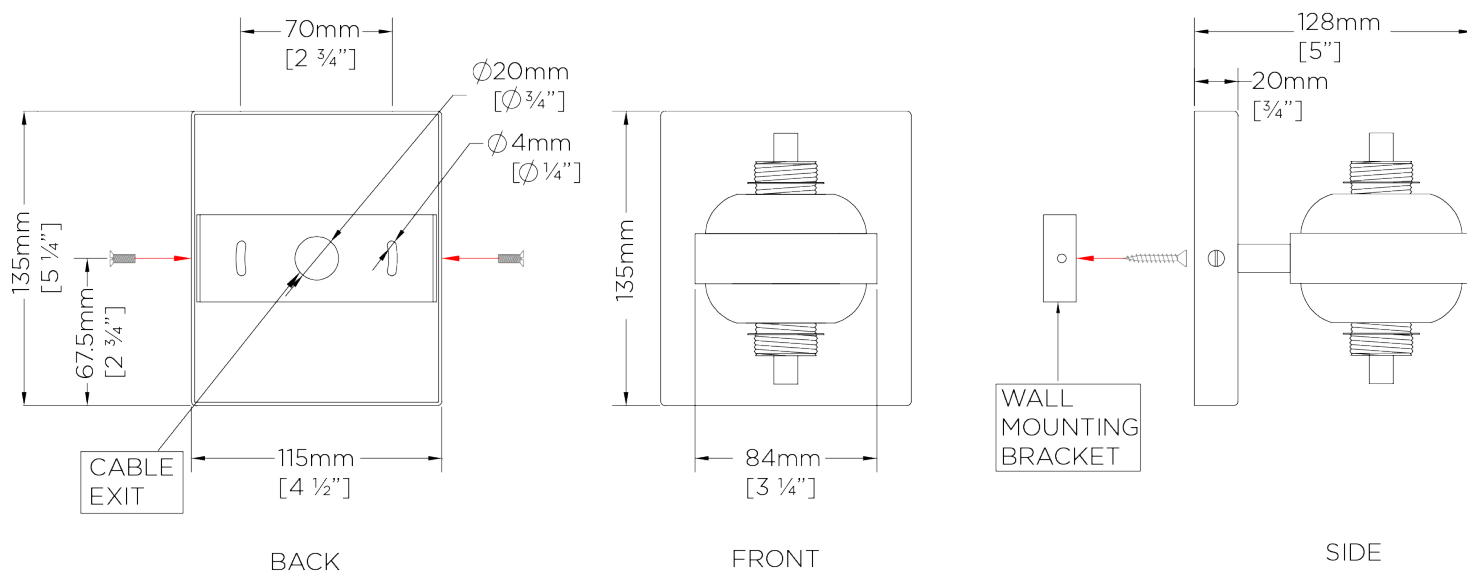
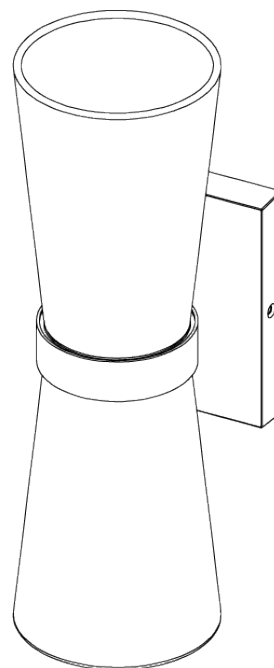
TWL63L

HEIGHT
340mm | 13 1/2"

HEIGHT WITH SHADE
340mm | 13 1/2"

WIDTH
115mm | 4 3/4"

WIDTH WITH SHADE
115mm | 4 3/4"



© Porta Romana 2022

Dimensions and weights are provided as a guide. All Porta Romana Products are made by hand and variations can occur in some products. The products you are buying or marketing are exclusive designs belonging to Porta Romana. Please do not submit design sheets featuring our products to other manufacturing companies nor to other parties who might. Any manufacturer found to be reproducing Porta Romana products will be breaching copyright law and will be actively pursued

PR

PORTAROMANA.COM