

# PORTA ROMANA



## Cocoon Pendant

MCL42 | Bright Silver

Bright Silver with Clear Glass

**WIDTH**  
250mm | 9 3/4"

**CONSTRUCTED FROM**  
Blown glass brass and steel with decorative finish

**MAX WATTAGE**  
60W



**MINIMUM DROP**  
450mm | 17 3/4"

**WEIGHT**  
5 kg | 11 lbs

**LAMP**  
1 x Switched Type A19 Medium Base

**MAXIMUM DROP**  
1410mm | 55 3/4"

**VOLTAGE**  
120V

**DROPS AVAILABLE**  
1410mm / Custom

**FINISHES**  
1 Bright Gold  
2 Bright Silver

# Cocoon Pendant

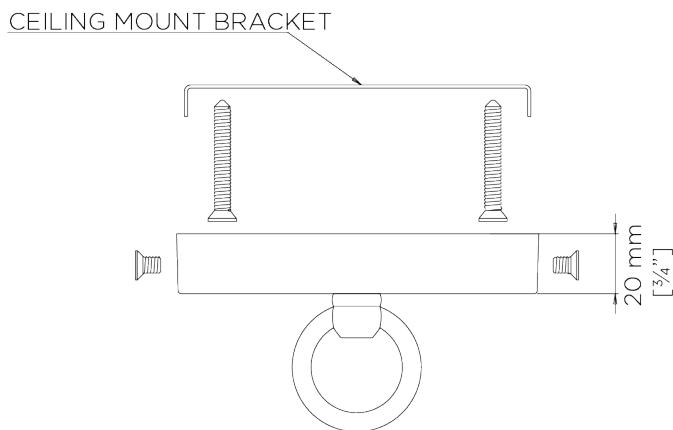
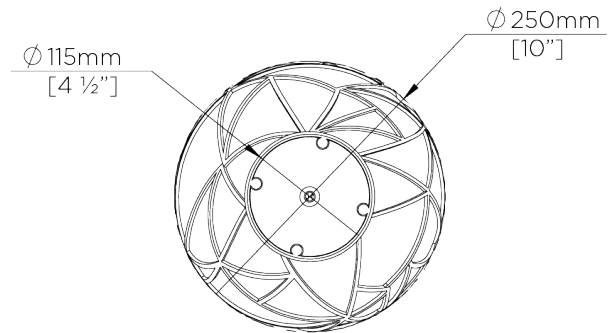
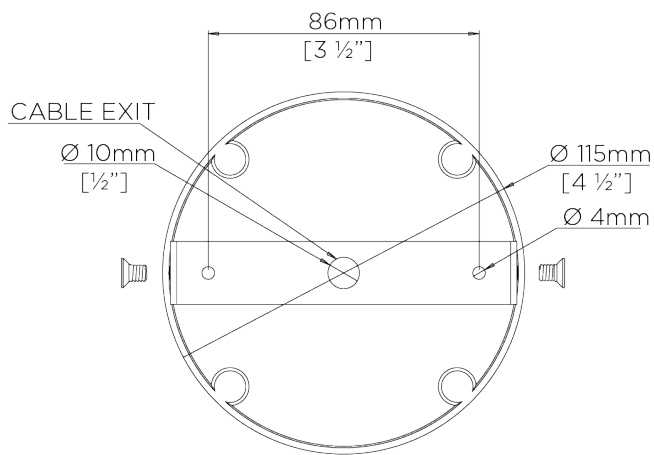
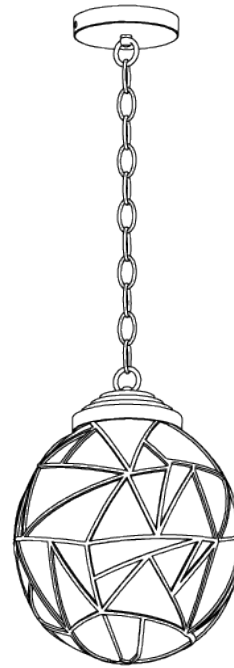
MCL42

WIDTH  
250mm | 9 3/4"

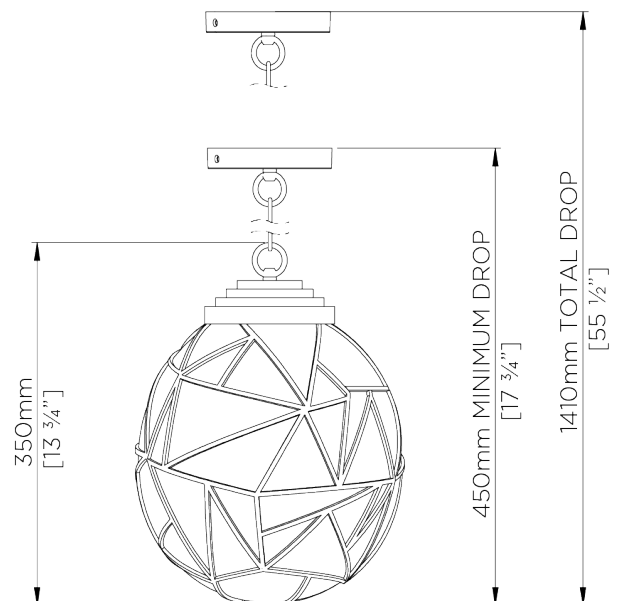
MINIMUM DROP  
450mm | 17 3/4"

MAXIMUM DROP  
1410mm | 55 3/4"

DROPS AVAILABLE  
1410mm / Custom



CEILING ROSE DETAIL



© Porta Romana 2022

Dimensions and weights are provided as a guide. All Porta Romana Products are made by hand and variations can occur in some products. The products you are buying or marketing are exclusive designs belonging to Porta Romana. Please do not submit design sheets featuring our products to other manufacturing companies nor to other parties who might. Any manufacturer found to be reproducing Porta Romana products will be breaching copyright law and will be actively pursued