

PORTA ROMANA



Big Bang Lantern

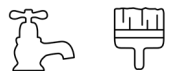
MCL39 | Pale Olive - Bronze

Shown with Pale Olive with Bronze

WIDTH
300mm | 11 3/4"

CONSTRUCTED FROM
Blown and moulded glass with
painted brass

MAX WATTAGE
40W



MINIMUM DROP
385mm | 15 1/4"

WEIGHT
7.5 kg | 16.5 lbs

LAMP
1 x T-4 G-9 Lamp

MAXIMUM DROP
1345mm | 53"

VOLTAGE
120V

DROPS AVAILABLE
1345mm / Custom

FINISHES
1 Pale Olive - Bronze

Big Bang Lantern

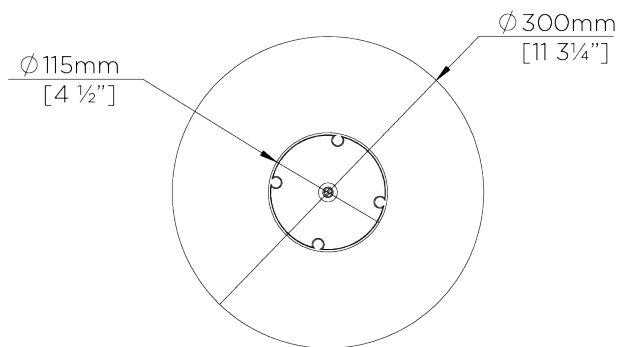
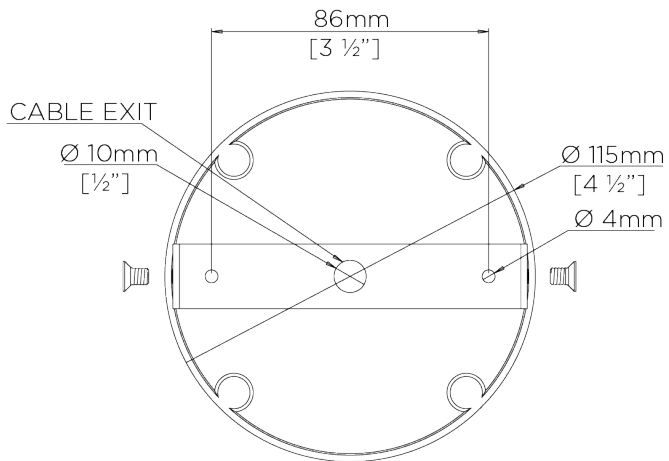
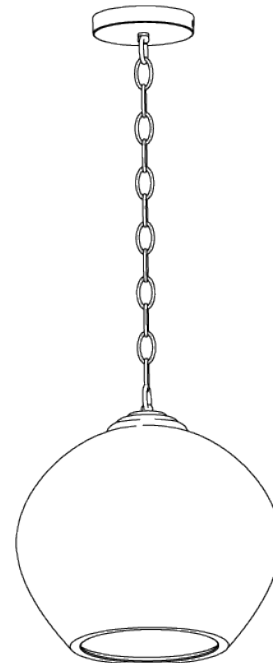
MCL39

WIDTH
300mm | 11 3/4"

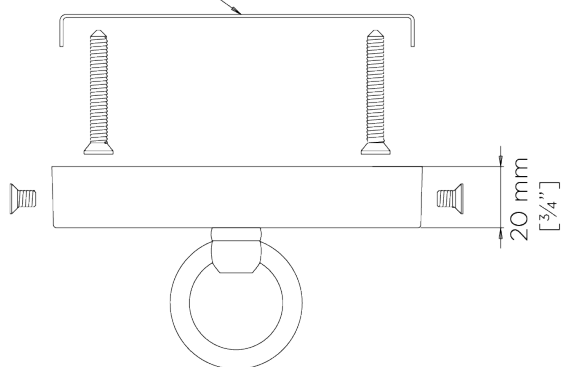
MINIMUM DROP
385mm | 15 1/4"

MAXIMUM DROP
1345mm | 53"

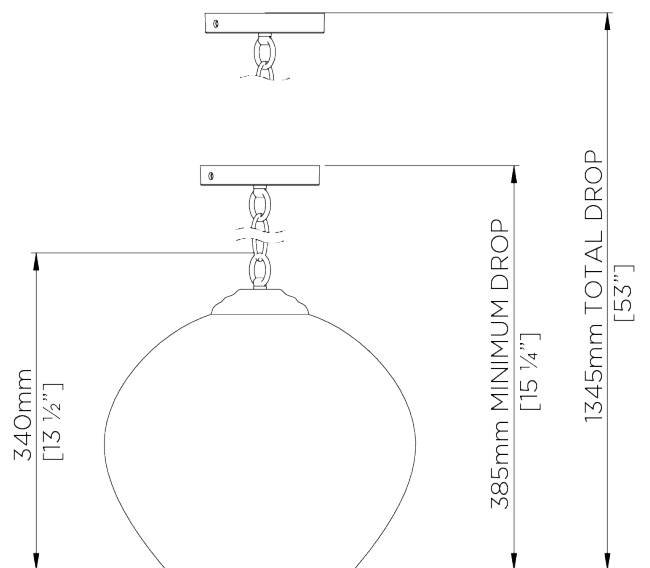
DROPS AVAILABLE
1345mm / Custom



CEILING MOUNT BRACKET



CEILING ROSE DETAIL



© Porta Romana 2022

Dimensions and weights are provided as a guide. All Porta Romana Products are made by hand and variations can occur in some products. The products you are buying or marketing are exclusive designs belonging to Porta Romana. Please do not submit design sheets featuring our products to other manufacturing companies nor to other parties who might. Any manufacturer found to be reproducing Porta Romana products will be breaching copyright law and will be actively pursued