

PORTA ROMANA



Aurelia Mirror

WM51 | Venetian Gold

Venetian Gold with Antique Glass

DEPTH
70mm | 3"

CONSTRUCTED FROM
Forged steel with decorative finish



DIAMETER
580mm | 23"

WEIGHT
13.2 kg | 29.04 lbs

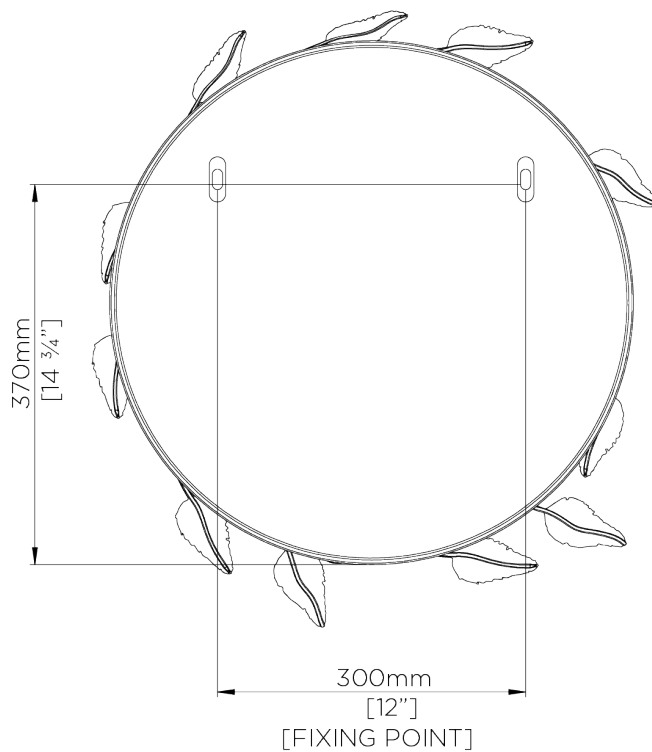
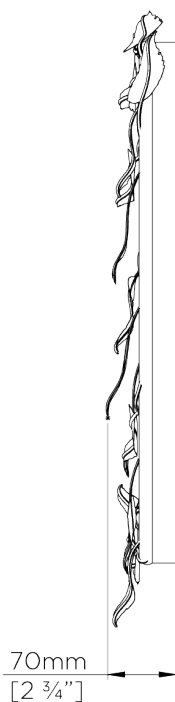
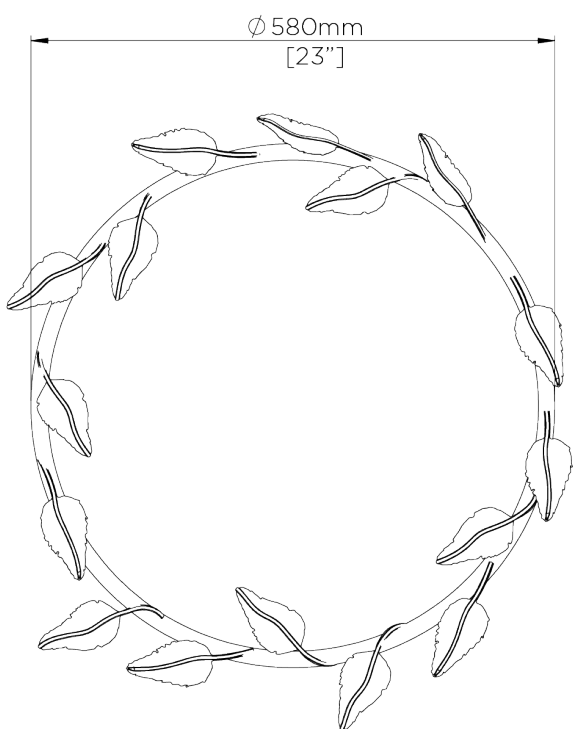
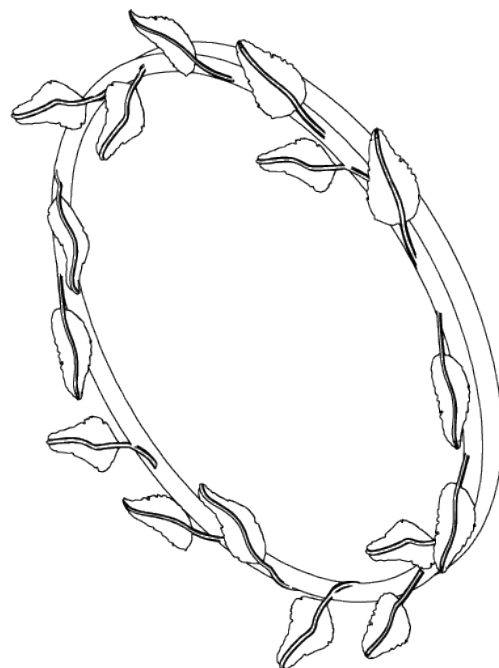
FINISHES
1 Venetian Gold

Aurelia Mirror

WM51

DEPTH
70mm | 3"

DIAMETER
580mm | 23"



It is not recommended to pre-drill holes for wall fixings (this is due to the hand-made nature of each piece)

© Porta Romana 2022

Dimensions and weights are provided as a guide. All Porta Romana Products are made by hand and variations can occur in some products. The products you are buying or marketing are exclusive designs belonging to Porta Romana. Please do not submit design sheets featuring our products to other manufacturing companies nor to other parties who might. Any manufacturer found to be reproducing Porta Romana products will be breaching copyright law and will be actively pursued