

PORTA ROMANA



Oval Lartigue Chandelier

MCL11 | Nickel

Clear Crystal with Nickel shown with 4" Putty Silk shades

WIDTH
1210mm | 47 3/4"

CONSTRUCTED FROM
Nickel plated steel or steel with decorative finish with crystal cubes

RECOMMENDED SHADE
4" Cylinder



DEPTH
722mm | 28 1/2"

WEIGHT
9 kg | 19.8 lbs

MAX WATTAGE
25W

MINIMUM DROP
735mm (500mm rod)

LAMP
8 x 450lm (5w) LED E14 Candle

DROPS AVAILABLE
735mm / 1035mm / 1335mm / Custom

VOLTAGE
220-240V

FLEX AND SWITCH
Nickel lampholder and Grey Silk flex

FINISHES
1 Burnt Silver
2 French Brass
3 Nickel

Oval Lartigue Chandelier

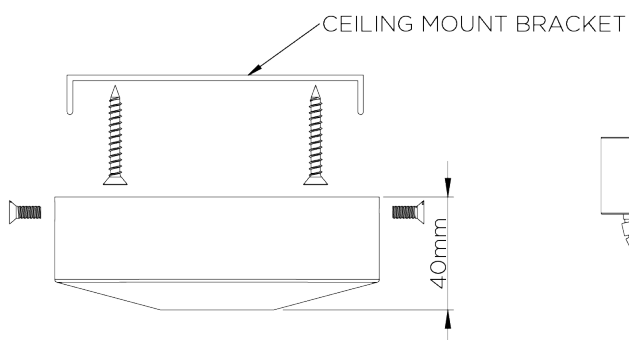
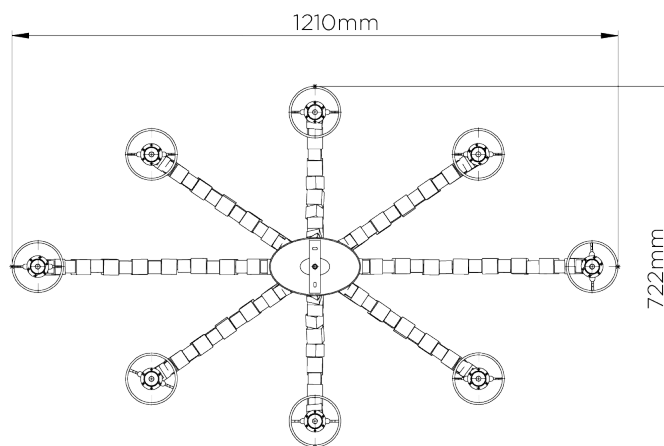
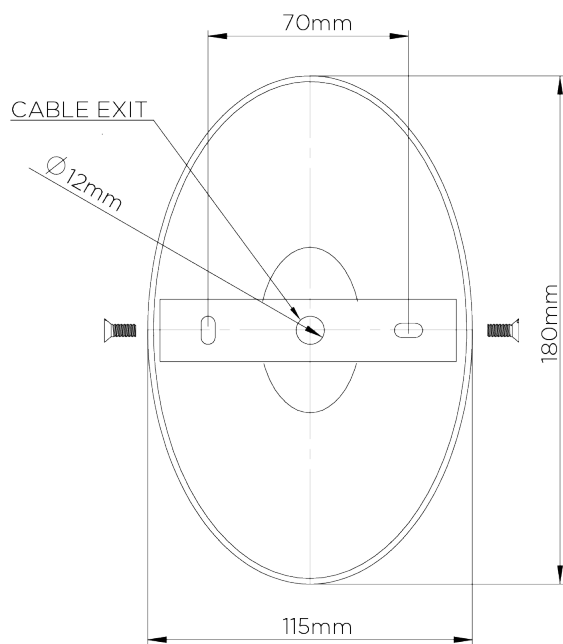
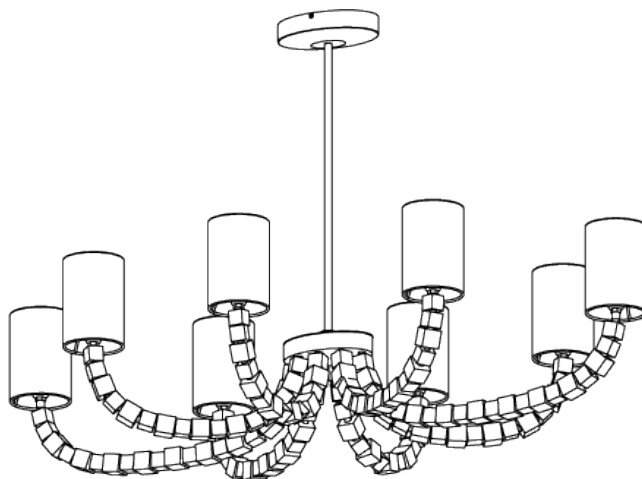
MCL11

WIDTH
1210mm | 47 3/4"

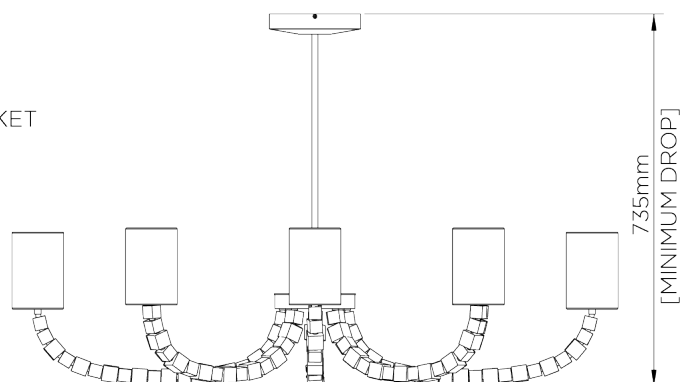
DEPTH
722mm | 28 1/2"

MINIMUM DROP
735mm (500mm rod)

DROPS AVAILABLE
735mm / 1035mm / 1335mm / Custom



CEILING ROSE DETAIL



© Porta Romana 2022

Dimensions and weights are provided as a guide. All Porta Romana Products are made by hand and variations can occur in some products. The products you are buying or marketing are exclusive designs belonging to Porta Romana. Please do not submit design sheets featuring our products to other manufacturing companies nor to other parties who might. Any manufacturer found to be reproducing Porta Romana products will be breaching copyright law and will be actively pursued