

PORTA ROMANA



Miro Chandelier

MCL22 | Burnt Silver

WIDTH
365mm | 14 1/4"

CONSTRUCTED FROM
Forged steel with decorative finish

RECOMMENDED SHADE
4" Tall Cylinder



MINIMUM DROP
840mm | 33 1/4"

WEIGHT
9.5 kg | 20.9 lbs

MAX WATTAGE
25W

MAXIMUM DROP
1825mm | 72"

LAMP
1 x 450lm (5w) LED E14 Candle

DROPS AVAILABLE
1825mm / Custom

VOLTAGE
220-240V

FLEX AND SWITCH
Nickel lampholder and Grey Silk flex

FINISHES
1 Burnt Silver
2 Bright Gold
3 Bronzed
4 French Brass

© Porta Romana 2022

Miro Chandelier

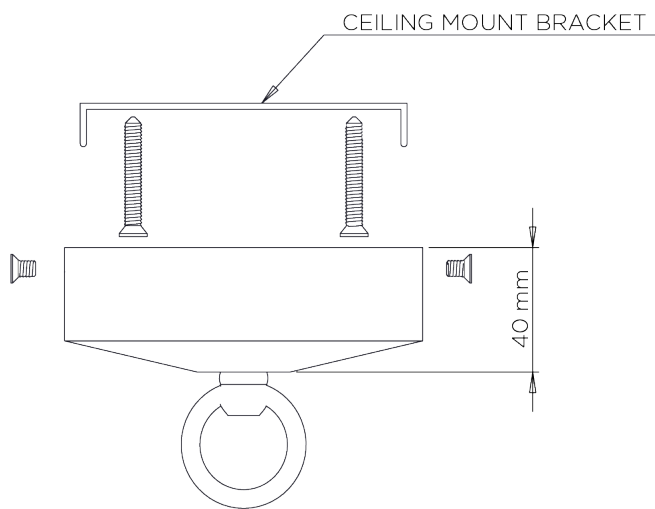
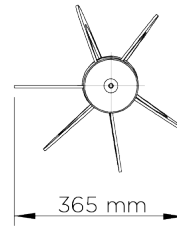
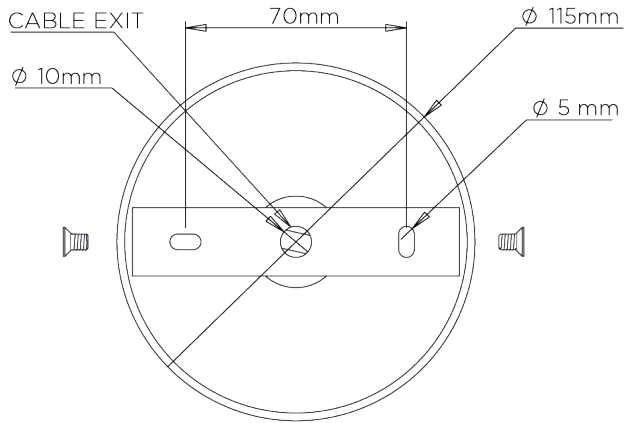
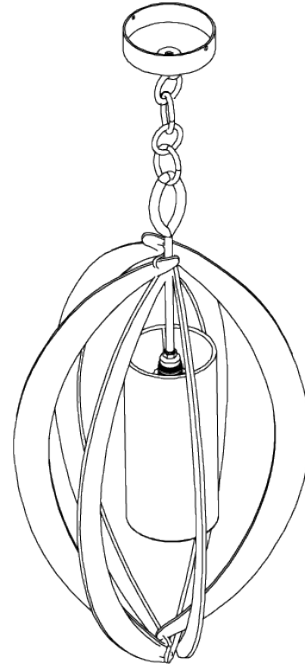
MCL22

WIDTH
365mm | 14 1/4"

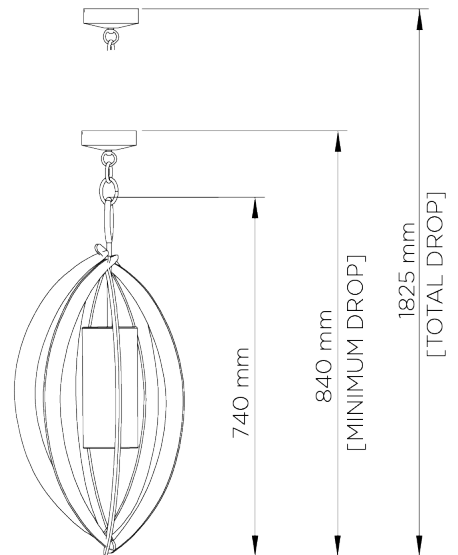
MINIMUM DROP
840mm | 33 1/4"

MAXIMUM DROP
1825mm | 72"

DROPS AVAILABLE
1825mm / Custom



CEILING ROSE DETAIL



© Porta Romana 2022

Dimensions and weights are provided as a guide. All Porta Romana Products are made by hand and variations can occur in some products. The products you are buying or marketing are exclusive designs belonging to Porta Romana. Please do not submit design sheets featuring our products to other manufacturing companies nor to other parties who might. Any manufacturer found to be reproducing Porta Romana products will be breaching copyright law and will be actively pursued