

# PORTA ROMANA



## Kingsley Wall Light

TWL125 | Nickel with Nickel

Nickel

**HEIGHT**  
470mm | 18 3/4"

**CONSTRUCTED FROM**  
Patinated or nickel plated brass

**MAX WATTAGE**  
25W



**WIDTH**  
105mm | 4 1/4"

**WEIGHT**  
0.8 kg | 1.76 lbs

**LAMP**  
1 x 320lm (3w) LED G9 Capsule

**PROJECTION**  
450mm | 17 3/4"

**VOLTAGE**  
220-240V

### FINISHES

- 1 Brass with Brass
- 2 Brass with Bromine
- 3 Brass with Bottle
- 4 Bronze with Bronze
- 5 Nickel with Nickel

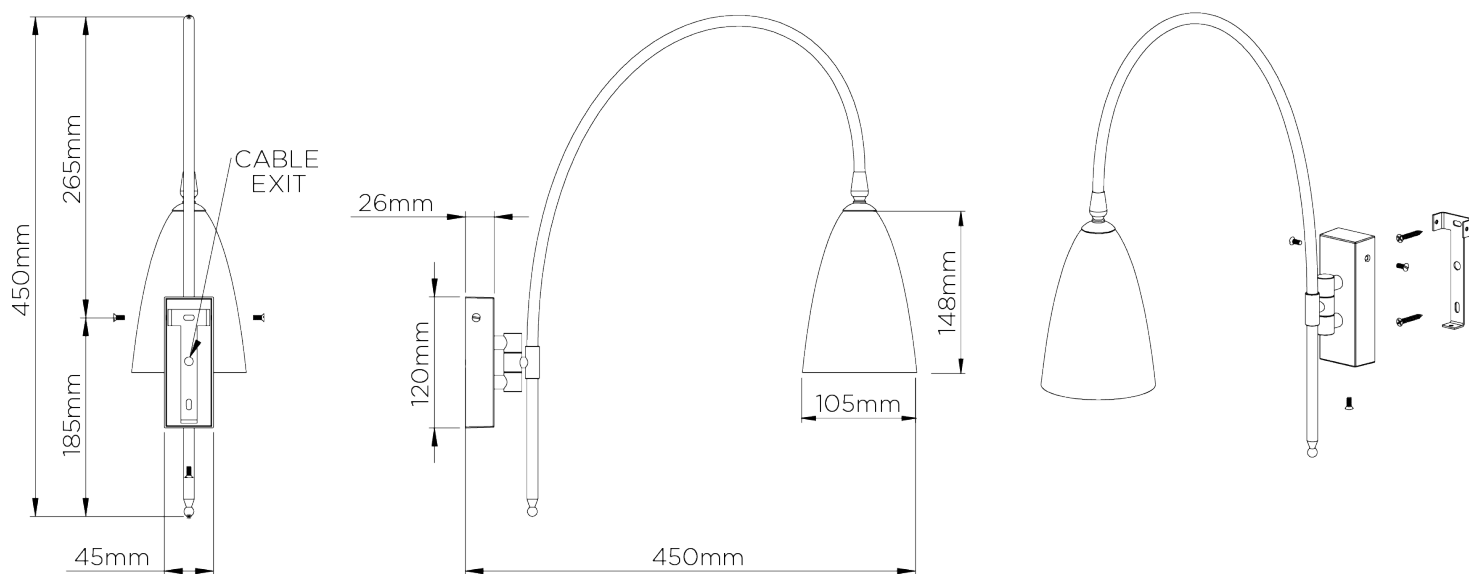
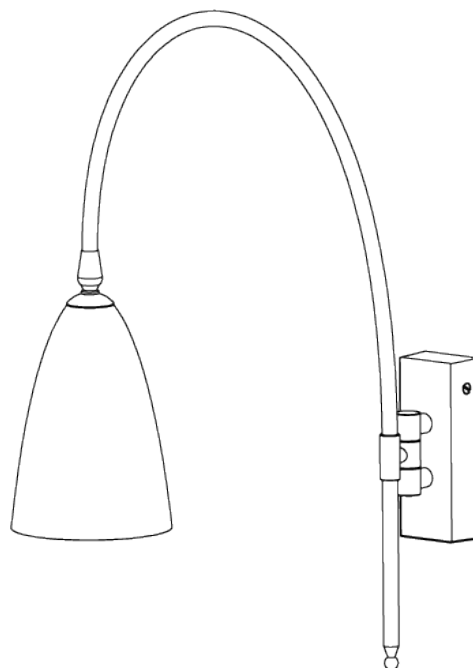
© Porta Romana 2022

# Kingsley Wall Light

TWL125

HEIGHT  
470mm | 18 3/4"

WIDTH  
105mm | 4 1/4"



© Porta Romana 2022

Dimensions and weights are provided as a guide. All Porta Romana Products are made by hand and variations can occur in some products. The products you are buying or marketing are exclusive designs belonging to Porta Romana. Please do not submit design sheets featuring our products to other manufacturing companies nor to other parties who might. Any manufacturer found to be reproducing Porta Romana products will be breaching copyright law and will be actively pursued

PR

PORTAROMANA.COM