

PORTA ROMANA



Giacometti Pendant Small

MCL76S | Carbon

Carbon shown with 5" Tall Cylinder in Natural Linen

WIDTH
240mm | 9 1/2"

CONSTRUCTED FROM
Forged steel with decorative finish

RECOMMENDED SHADE
5" Tall Cylinder



MINIMUM DROP
685mm | 27"

WEIGHT
4 kg | 8.8 lbs

MAX WATTAGE
25W

MAXIMUM DROP
1585mm | 62 1/2"

LAMP
1 x 450lm (5w) LED E14 Candle

DROPS AVAILABLE
1585mm / Custom

VOLTAGE
220-240V

FLEX AND SWITCH
Nickel lampholder and Brown Silk flex

FINISHES
1 Carbon
2 Gold

Giacometti Pendant Small

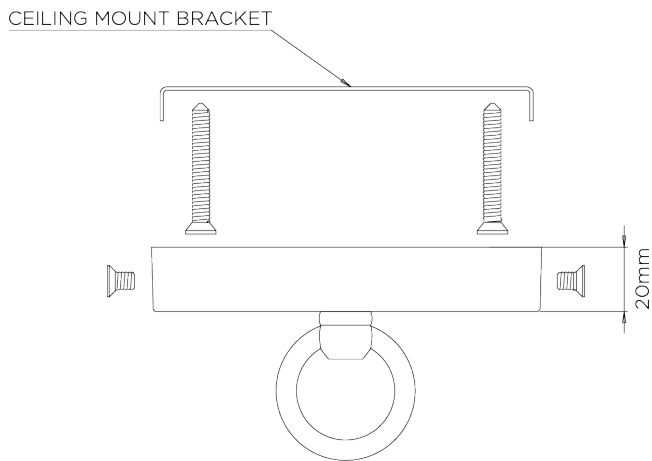
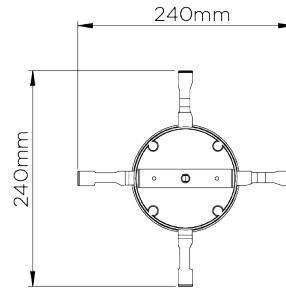
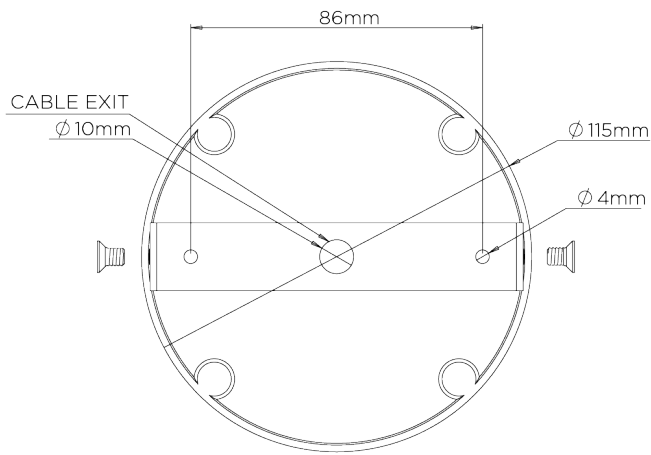
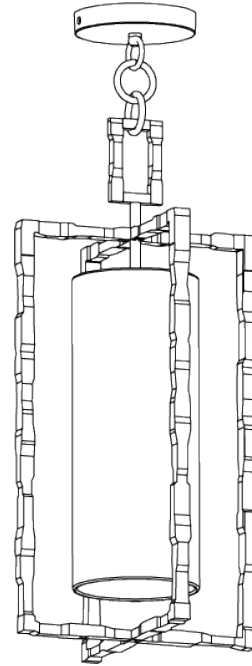
MCL76S

WIDTH
240mm | 9 1/2"

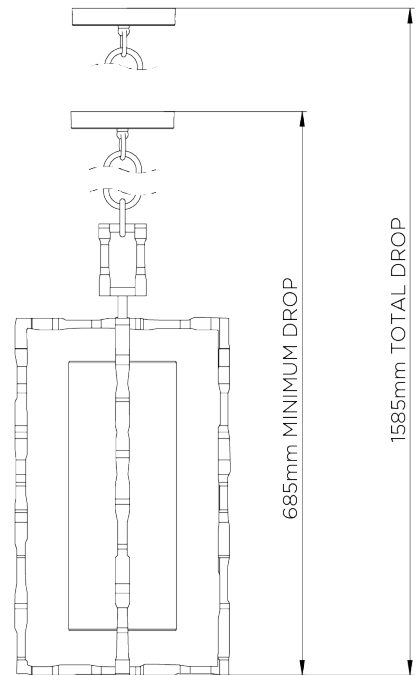
MINIMUM DROP
685mm | 27"

MAXIMUM DROP
1585mm | 62 1/2"

DROPS AVAILABLE
1585mm / Custom



CEILING ROSE DETAIL



© Porta Romana 2022

Dimensions and weights are provided as a guide. All Porta Romana Products are made by hand and variations can occur in some products. The products you are buying or marketing are exclusive designs belonging to Porta Romana. Please do not submit design sheets featuring our products to other manufacturing companies nor to other parties who might. Any manufacturer found to be reproducing Porta Romana products will be breaching copyright law and will be actively pursued