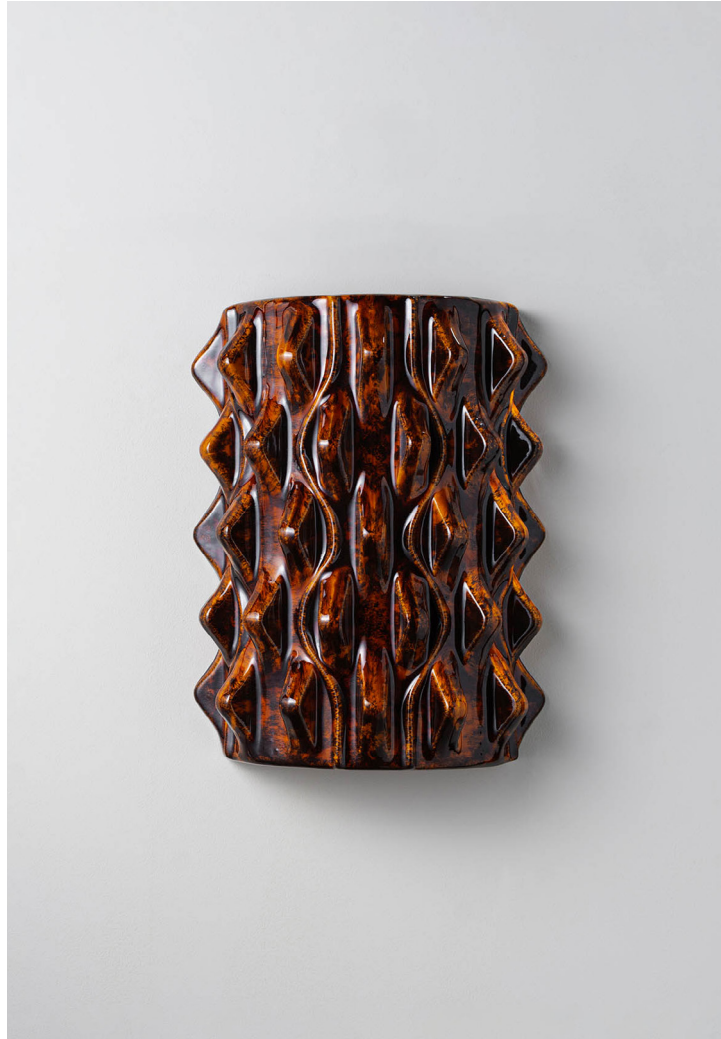


PORTA ROMANA



Brae Wall Light

TWL167 | Tigers Eye

Tigers Eye

HEIGHT
370mm | 14 1/2"

CONSTRUCTED FROM
Glazed ceramic

WATTAGE
25W

WIDTH
285mm | 11 1/4"

WEIGHT
2.5kg | 5 3/4 lbs

LAMPING
2 x 320lm (3.2w) LED G9 Capsule

PROJECTION
130mm | 5 1/4"

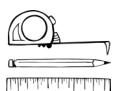
MATERIAL
Glazed ceramic

VOLTAGE
120V

FINISHES
Almond
Pudding
Tigers Eye



Wall Fixing



Custom

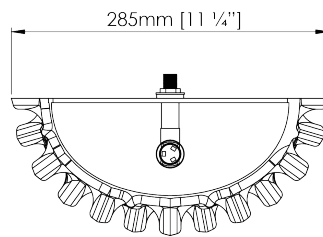
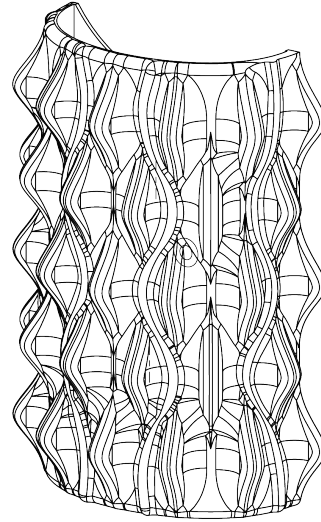
Brae Wall Light

TWL167

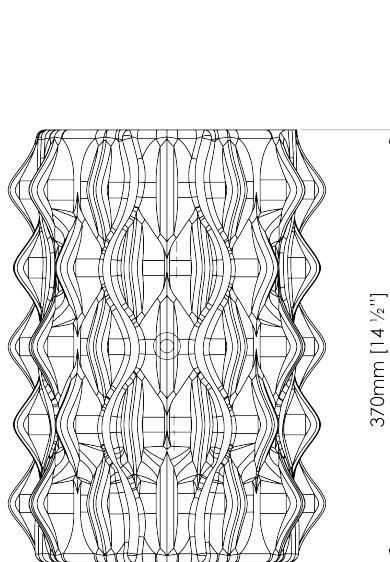
HEIGHT
370mm | 14 1/2"

WIDTH
285mm | 11 1/4"

PROJECTION
130mm | 5 1/4"



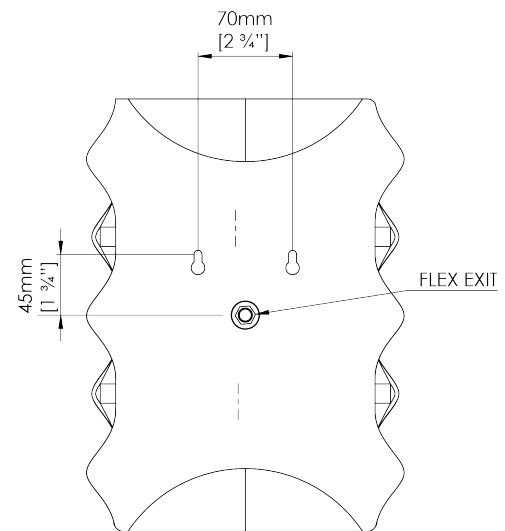
TOP VIEW



FRONT VIEW



RIGHT VIEW



REAR VIEW

© Porta Romana 2025

Dimensions and weights are provided as a guide. All Porta Romana Products are made by hand and variations can occur in some products. The products you are buying or marketing are exclusive designs belonging to Porta Romana. Please do not submit design sheets featuring our products to other manufacturing companies nor to other parties who might. Any manufacturer found to be reproducing Porta Romana products will be breaching copyright law and will be actively pursued