

# PORTA ROMANA



## Compton Cup Wall Light

TWL136S | Plaster White with Cream Etched Gold

Plaster White with Cream Etched Gold

HEIGHT  
125mm | 5"

CONSTRUCTED FROM  
Cast composite with decorative finish

WATTAGE  
25W



WIDTH  
180mm | 7 1/4"

WEIGHT  
0.7kg | 1.75lbs

LAMP  
320lm (3.2w) LED G9 Capsule

352-721  
PP

MATERIAL  
Cast Composite

VOLTAGE  
220-240 V

### FINISHES

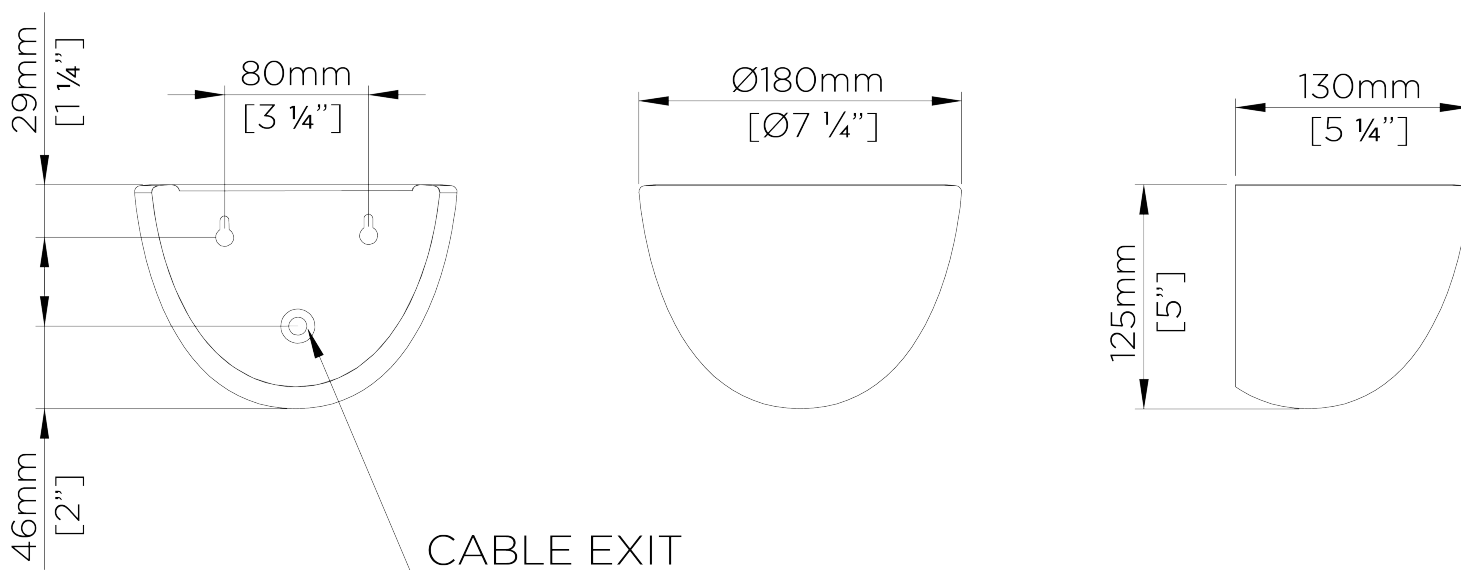
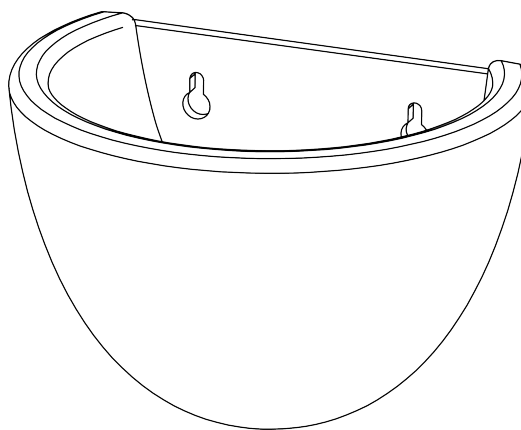
Plaster White with Cream Etched Gold

# Compton Cup Wall Light

TWL136S

HEIGHT  
125mm | 5"

WIDTH  
180mm | 7 1/4"



© Porta Romana 2024

Dimensions and weights are provided as a guide. All Porta Romana Products are made by hand and variations can occur in some products. The products you are buying or marketing are exclusive designs belonging to Porta Romana. Please do not submit design sheets featuring our products to other manufacturing companies nor to other parties who might. Any manufacturer found to be reproducing Porta Romana products will be breaching copyright law and will be actively pursued

PR

PORTAROMANA.COM