

# PORTA ROMANA



## Compton Octave Ceiling Light

MCL106 | Plaster White with Cream Etched Gold

Plaster White with Cream Etched Gold

**HEIGHT**  
945mm | 37 1/4"

**WIDTH**  
650mm | 25 1/2"

**DEPTH**  
650mm | 25 1/2"

**MINIMUM DROP**  
1060mm | 41 3/4"

**TOTAL DROP**  
2010mm | 79 1/4"

Other drops available

**CONSTRUCTED FROM**  
Cast composite and metal with decorative finish

**WEIGHT**  
14kg | 31lbs

**MATERIAL**  
Metal

**WATTAGE**  
40W

**LAMP**  
8 x 320lm (3w) LED G9 Capsule

**VOLTAGE**  
120 V

This piece requires a dedicated carrier and chargeable crate

UL Listed



Any Painted Finish



Crate Required



UL Listed

# Compton Octave Ceiling Light

MCL106

HEIGHT  
945mm | 37 1/4"

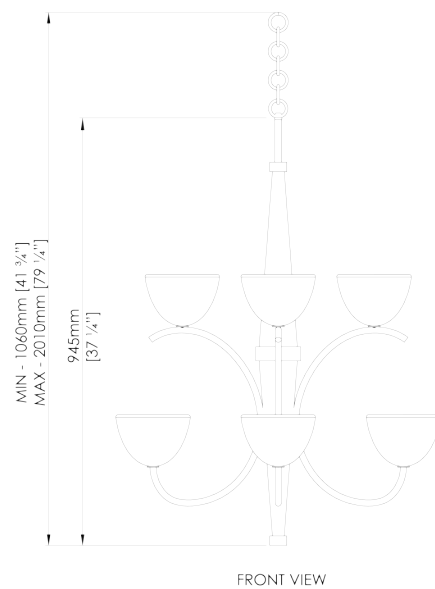
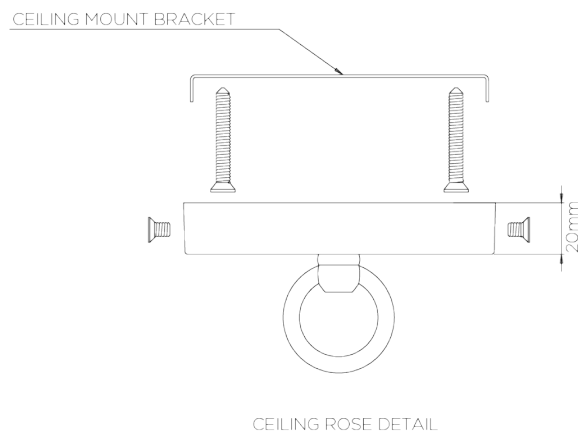
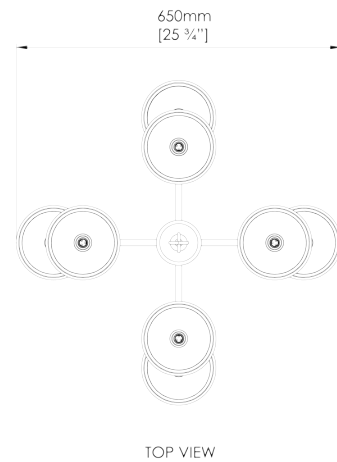
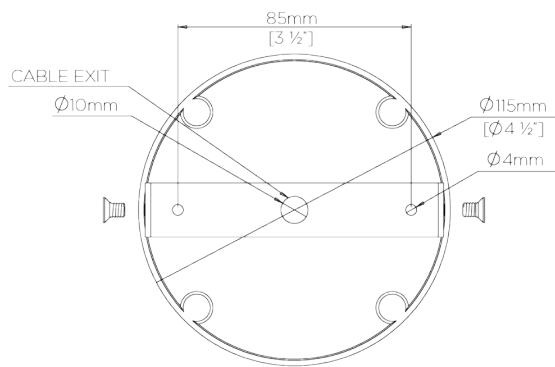
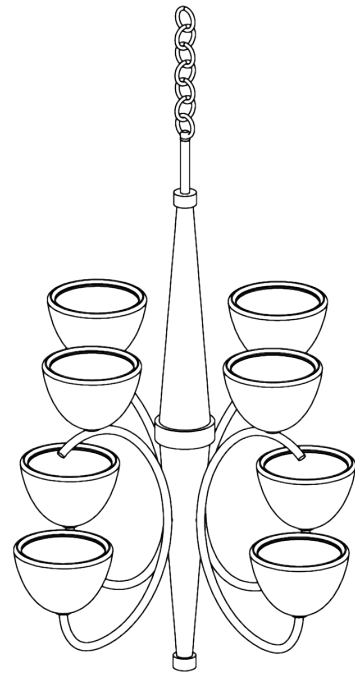
WIDTH  
650mm | 25 1/2"

DEPTH  
650mm | 25 1/2"

MINIMUM DROP  
1060mm | 41 3/4"

TOTAL DROP  
2010mm | 79 1/4 "

Other drops available



Dimensions and weights are provided as a guide. All Porta Romana Products are made by hand and variations can occur in some products. The products you are buying or marketing are exclusive designs belonging to Porta Romana. Please do not submit design sheets featuring our products to other manufacturing companies nor to other parties who might. Any manufacturer found to be reproducing Porta Romana products will be breaching copyright law and will be actively pursued