

# PORTA ROMANA



## Hanzo Coffee Table

CFT22 | Gold with Rainforest Gold top

Gold with Rainforest Gold top

**HEIGHT**  
405mm | 16"

**CONSTRUCTED FROM**  
Forged steel with decorative finish and  
marble top

This piece requires a dedicated carrier and  
chargeable crate

**WIDTH**  
1100mm | 43 1/4"

**WEIGHT**  
56kg | 123 1/2lbs

**DEPTH**  
565mm | 22 1/4"

**MATERIAL**  
Metal

**FINISHES**  
Gold with Rainforest Gold top



Custom



Any Paint Finish



Requires Crate



Alternative  
Tops

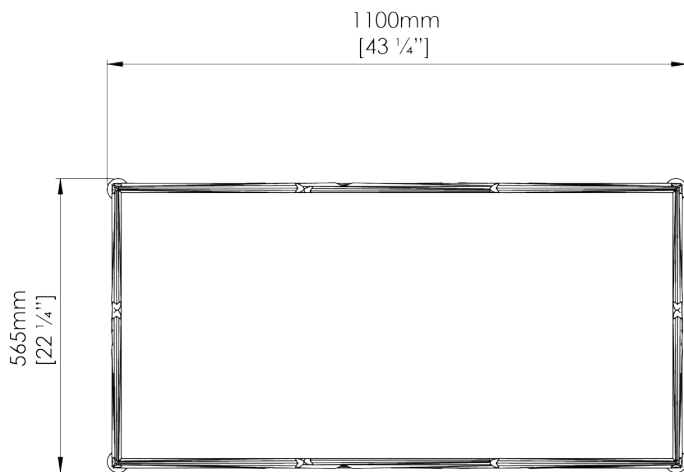
# Hanzo Coffee Table

CFT22

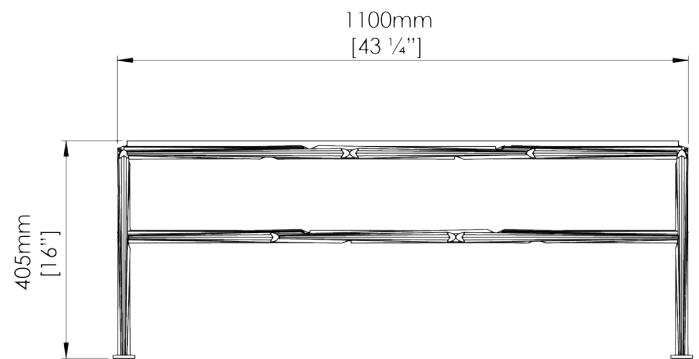
HEIGHT  
405mm | 16"

WIDTH  
1100mm | 43 1/4"

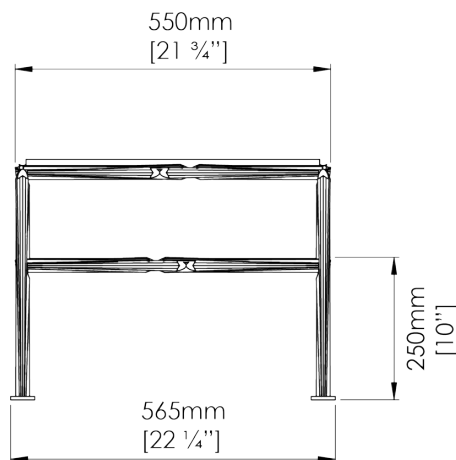
DEPTH  
565mm | 22 1/4"



TOP VIEW



FRONT VIEW



SIDE VIEW

Dimensions and weights are provided as a guide. All Porta Romana Products are made by hand and variations can occur in some products. The products you are buying or marketing are exclusive designs belonging to Porta Romana. Please do not submit design sheets featuring our products to other manufacturing companies nor to other parties who might. Any manufacturer found to be reproducing Porta Romana products will be breaching copyright law and will be actively pursued