

PORTA ROMANA



Compton Octave Ceiling Light

MCL106 | Plaster White with Cream Etched Gold

Plaster White with Cream Etched Gold

HEIGHT
945mm | 37 1/4"

WIDTH
650mm | 25 1/2"

DEPTH
650mm | 25 1/2"

MINIMUM DROP
1060mm | 41 3/4"

TOTAL DROP
2010mm | 79 1/4"

Other drops available

CONSTRUCTED FROM
Cast composite and metal with decorative finish

WEIGHT
14kg | 31lbs

MATERIAL
Metal

WATTAGE
40W

LAMP
8 x 320lm (3w) LED G9 Capsule

VOLTAGE
220-240 V

This piece requires a dedicated carrier and chargeable crate

UL Listed



Custom



Any Paint Finish



Requires Crate



UL Listed

Compton Octave Ceiling Light

MCL106

HEIGHT
945mm | 37 1/4"

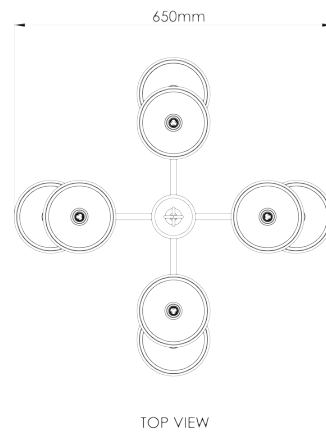
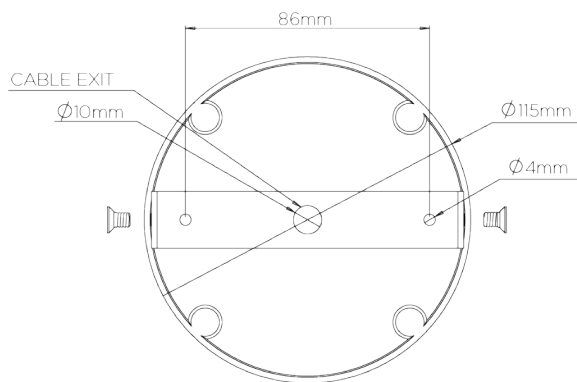
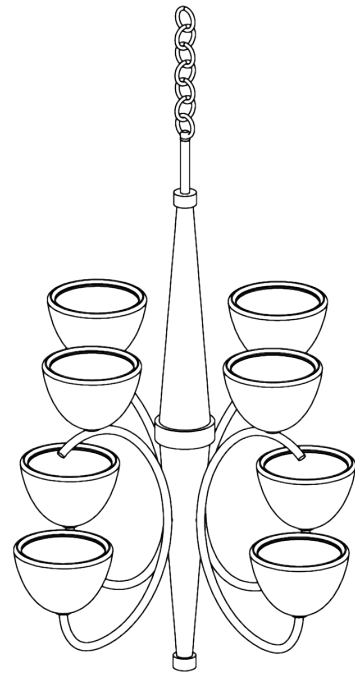
WIDTH
650mm | 25 1/2"

DEPTH
650mm | 25 1/2"

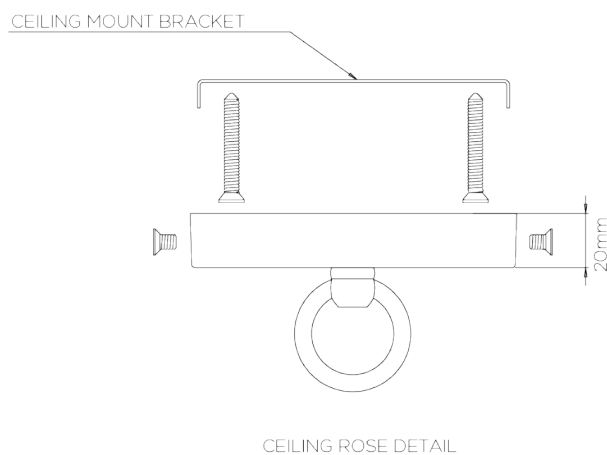
MINIMUM DROP
1060mm | 41 3/4"

TOTAL DROP
2010mm | 79 1/4"

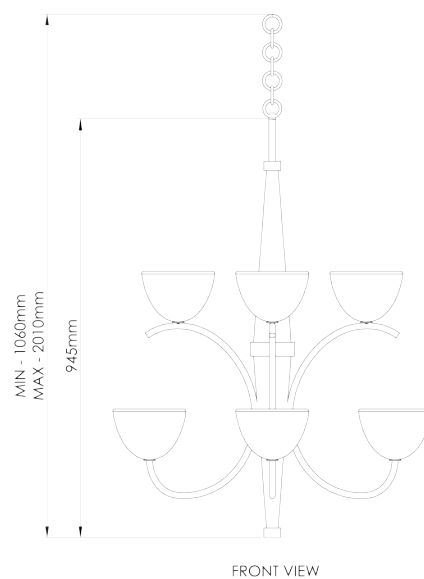
Other drops available



TOP VIEW



CEILING ROSE DETAIL



FRONT VIEW

Dimensions and weights are provided as a guide. All Porta Romana Products are made by hand and variations can occur in some products. The products you are buying or marketing are exclusive designs belonging to Porta Romana. Please do not submit design sheets featuring our products to other manufacturing companies nor to other parties who might. Any manufacturer found to be reproducing Porta Romana products will be breaching copyright law and will be actively pursued