

# PORTA ROMANA



## Stanley Curved Stool

CSB15 | Old Rust and Gold with Carbon Linen Seat Pad

Old Rust and Gold with Carbon Linen Seat Pad

**HEIGHT**  
415mm | 16 1/4"

**CONSTRUCTED FROM**  
Forged steel with decorative finish and upholstered seat pad

This piece requires a dedicated carrier and chargeable crate

**WIDTH**  
625mm | 24 1/2"

**WEIGHT**  
13kg | 28.75lbs

**DEPTH**  
425mm | 16 3/4"

**MATERIAL**  
Metal

**FINISHES**  
Old Rust and Gold with COM Seat Pad  
Verdigris and Gold with COM Seat Pad



Painted Finishes



Custom



Crate  
Required

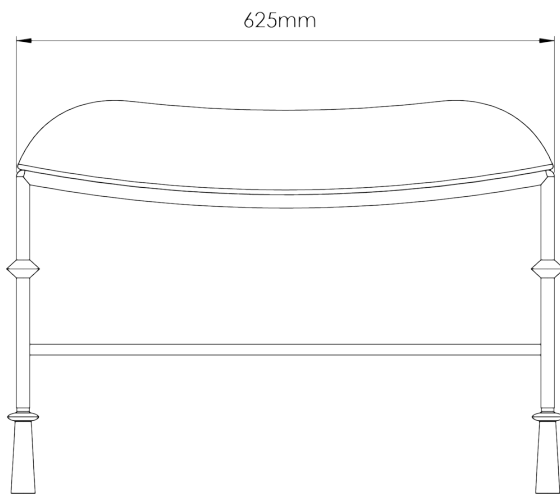
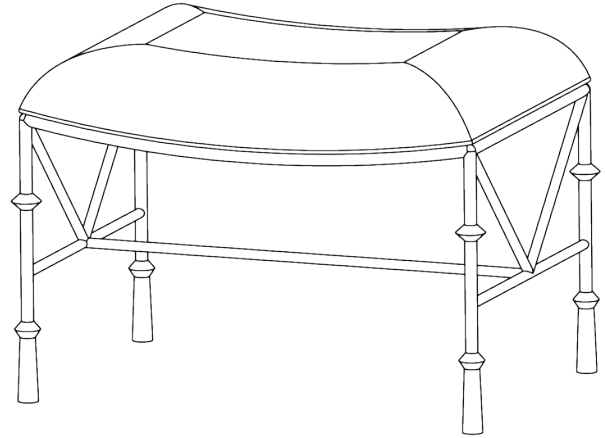
# Stanley Curved Stool

CSB15

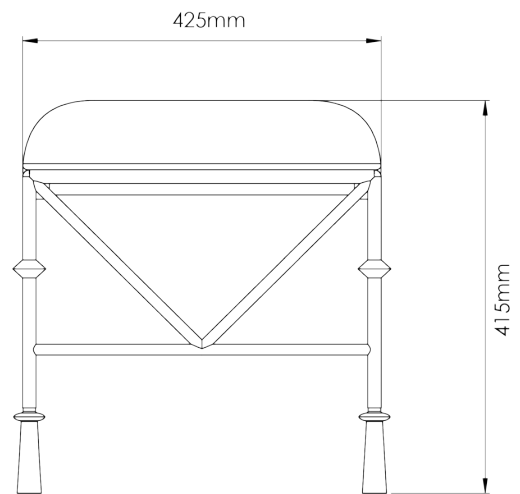
HEIGHT  
415mm | 16 1/4"

WIDTH  
625mm | 24 1/2"

DEPTH  
425mm | 16 3/4"



FRONT VIEW



SIDE VIEW

Dimensions and weights are provided as a guide. All Porta Romana Products are made by hand and variations can occur in some products. The products you are buying or marketing are exclusive designs belonging to Porta Romana. Please do not submit design sheets featuring our products to other manufacturing companies nor to other parties who might. Any manufacturer found to be reproducing Porta Romana products will be breaching copyright law and will be actively pursued