

PORTA ROMANA



Hanzo Coffee Table

CFT22 | Bronzed with Rainforest Gold top

Bronzed with Rainforest Gold top

HEIGHT
405mm | 16"

CONSTRUCTED FROM
Forged steel with decorative finish and
marble top

This piece requires a dedicated carrier and
chargeable crate

WIDTH
1100mm | 43 1/4"

WEIGHT
56kg | 123.5lbs

DEPTH
565mm | 22 1/4"

MATERIAL
Metal

FINISHES
Gold with Rainforest Gold top
Brzoned with Rainforest Gold top



Custom



Painted Finishes



Requires Crate



Alternative
Table Tops

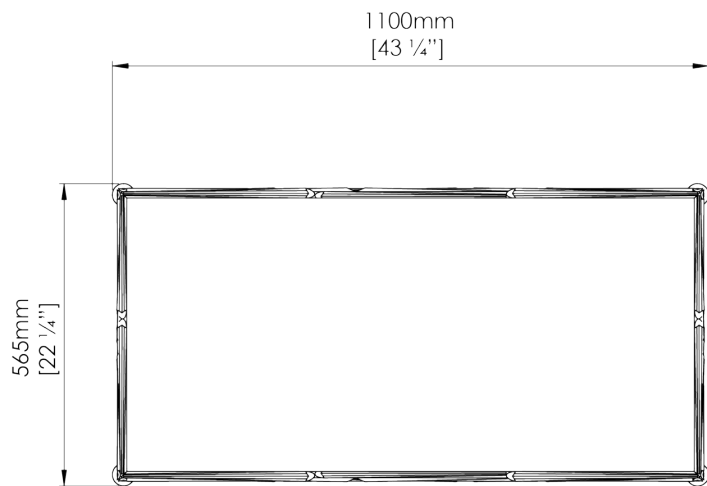
Hanzo Coffee Table

CFT22

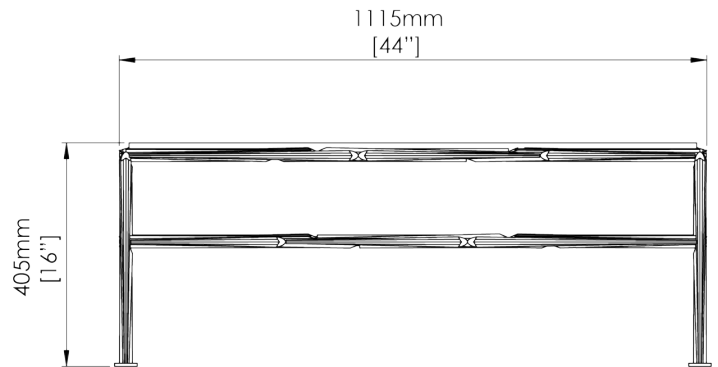
HEIGHT
405mm | 16"

WIDTH
1100mm | 43 1/4"

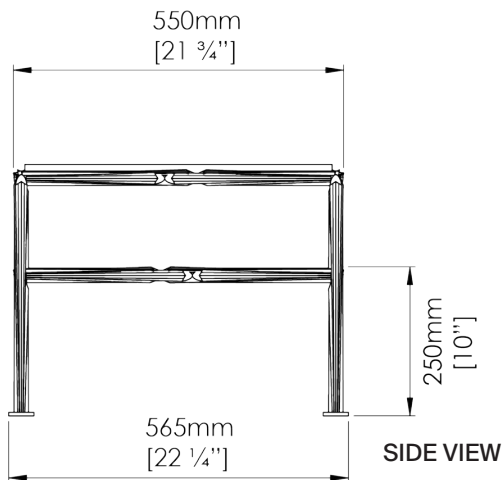
DEPTH
565mm | 22 1/4"



TOP VIEW VIEW



FRONT VIEW



SIDE VIEW

Dimensions and weights are provided as a guide. All Porta Romana Products are made by hand and variations can occur in some products. The products you are buying or marketing are exclusive designs belonging to Porta Romana. Please do not submit design sheets featuring our products to other manufacturing companies nor to other parties who might. Any manufacturer found to be reproducing Porta Romana products will be breaching copyright law and will be actively pursued