

# PORTA ROMANA



## Aurelia Mirror Large

WM51L | Gilded Rust

Gilded Rust with Mirror Glass

DEPTH  
70MM | 3"

CONSTRUCTED FROM  
Forged steel with decorative finish



DIAMETER  
830M | 32 3/4"

WEIGHT  
10KG | 22LBS

### FINISHES

1. Blue Verdigris
2. Venetian Gold
3. Venetian Silver
4. Gilded Rust

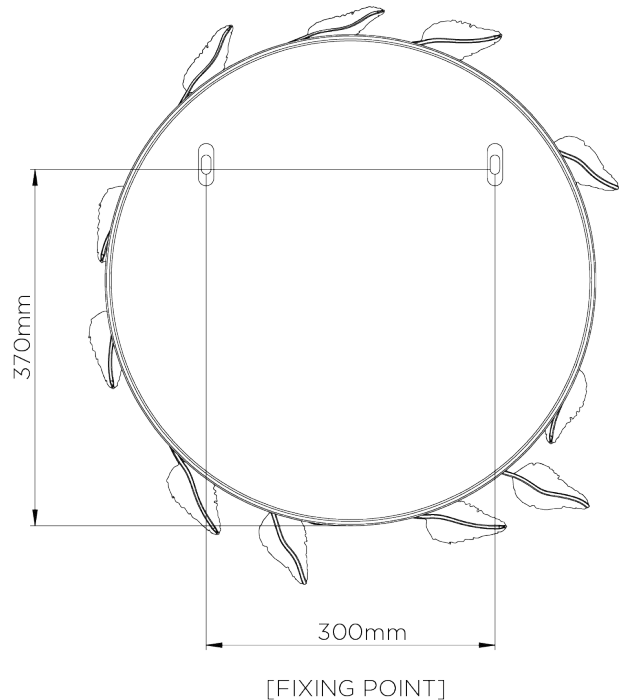
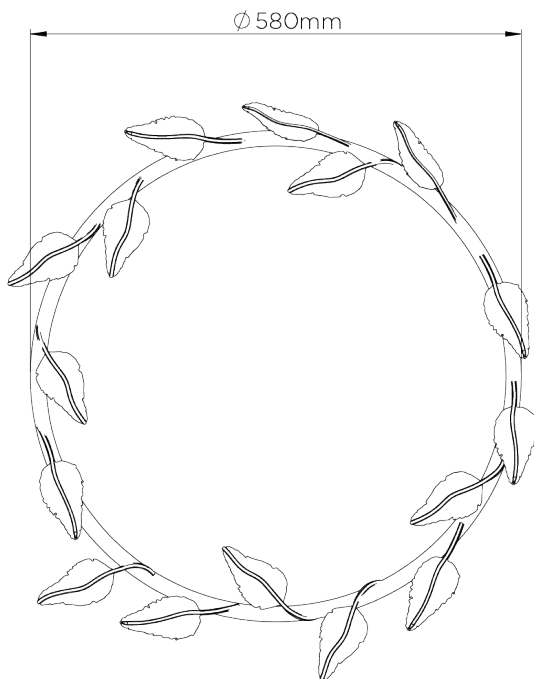
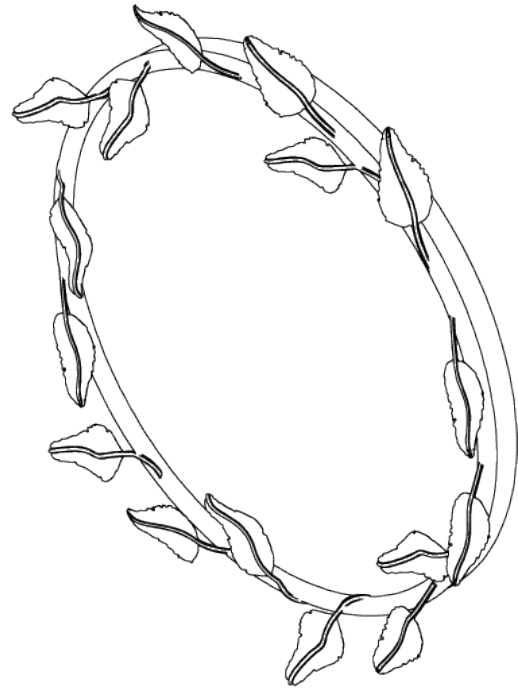
THIS PIECE REQUIRES A DEDICATED CARRIER AND  
CHARGEABLE CRATE

# Aurelia Mirror Large

WM51L

Depth  
70mm | 3"

Diameter  
830mm | 32 3/4"



It is not recommended to pre-drill holes for wall fixings (this is due to the hand-made nature of each piece)

© Porta Romana 2022

Dimensions and weights are provided as a guide. All Porta Romana Products are made by hand and variations can occur in some products. The products you are buying or marketing are exclusive designs belonging to Porta Romana. Please do not submit design sheets featuring our products to other manufacturing companies nor to other parties who might. Any manufacturer found to be reproducing Porta Romana products will be breaching copyright law and will be actively pursued