

PORTA ROMANA



Holden Linear Pendant Downlight

MCL102 | Dark Cane with Brass

Dark Cane with Brass with 2 x 5.5" Bongo in Natural Linen with Cream Card lining

HEIGHT
900mm | 35 1/2"

CONSTRUCTED FROM
Steel and brass with wrapped cane

RECOMMENDED SHADE
5.5" Bongo

WIDTH
650mm | 25"

WEIGHT
3 kgs | 6 3/4 lbs

LAMP
2 x 450lm (5w) LED E12
Candle

WIDTH WITH SHADE
830mm | 32 3/4"

WATTAGE
25W

MINIMUM DROP
920mm | 35 1/2"

VOLTAGE
120 V

TOTAL DROP
1300mm | 51 1/4"

FINISHES
Dark Cane with Antique
Brass Dark Cane with Brass

Holden Linear Pendant Downlight MCL102

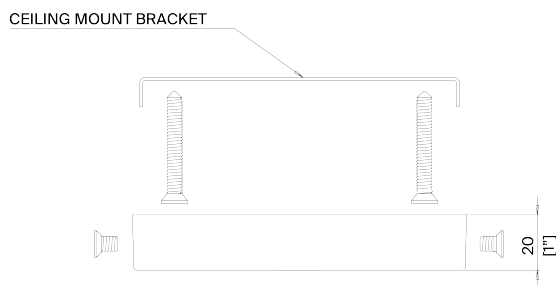
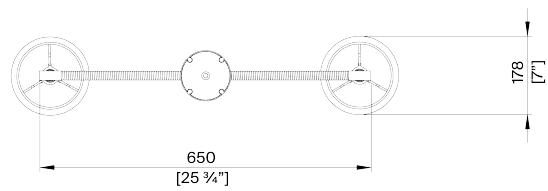
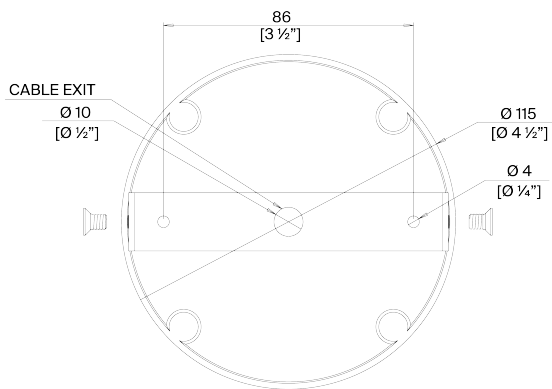
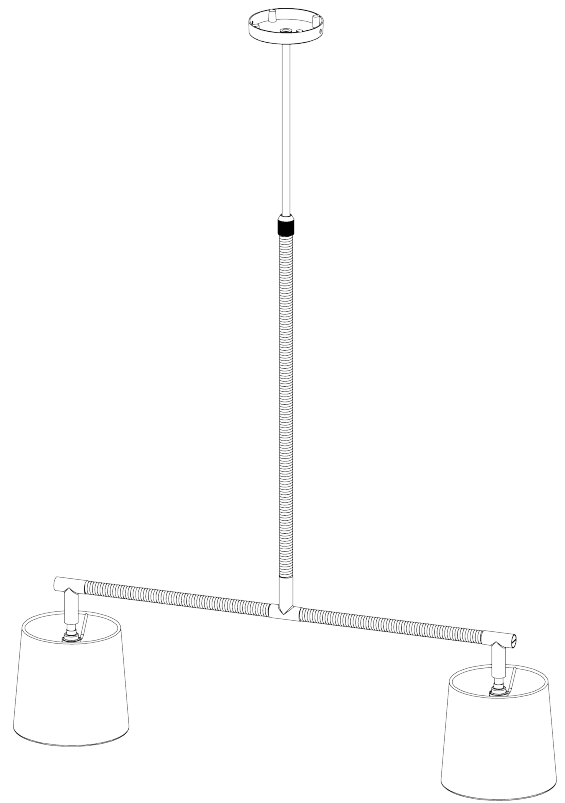
HEIGHT
900mm | 35 1/2"

WIDTH
650mm | 25 3/4"

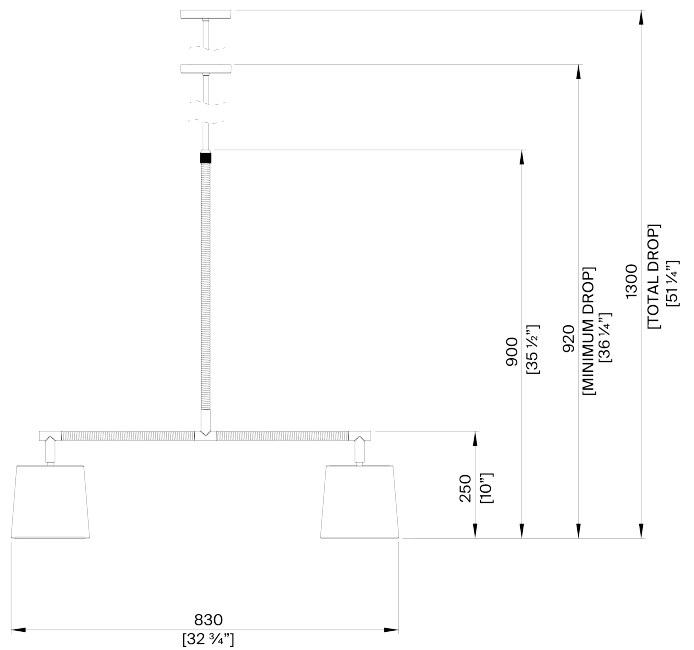
WIDTH WITH SHADE
830mm | 32 3/4"

MINIMUM DROP
920mm | 36 1/4"

TOTAL DROP
1300mm | 51 1/2"



CEILING ROSE DETAIL



© Porta Romana 2023

Dimensions and weights are provided as a guide. All Porta Romana Products are made by hand and variations can occur in some products. The products you are buying or marketing are exclusive designs belonging to Porta Romana. Please do not submit design sheets featuring our products to other manufacturing companies nor to other parties who might. Any manufacturer found to be reproducing Porta Romana products will be breaching copyright law and will be actively pursued