

PORTA ROMANA



Holden Linear Pendant Uplight

MCL101 | Dark Cane with Brass

Dark Cane with Brass with 4x 7" Bongo in Natural Linen with Cream Card Lining

HEIGHT
665mm | 26 1/4"

CONSTRUCTED FROM
Steel and brass with wrapped cane

RECOMMENDED SHADE
7" Bongo

WIDTH
1265mm | 50"

WEIGHT
5kg | 11 1/4 lbs

LAMP
450lm (5w) LED E12 Candle

WIDTH WITH SHADE
1445mm | 57"

WATTAGE
25W

MINIMUM DROP
800mm | 31 1/2"

VOLTAGE
120V

TOTAL DROP
1300mm | 51 1/4"

FINISHES

Dark Cane with Antique Brass
Dark Cane with Brass

Holden Linear Pendant Uplighter MCL101

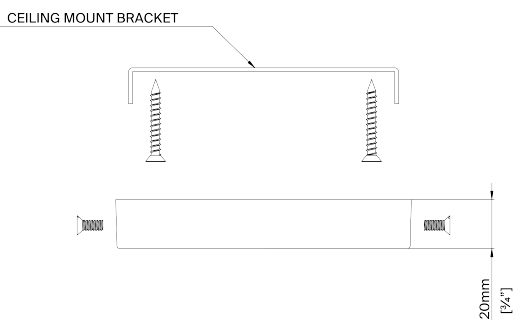
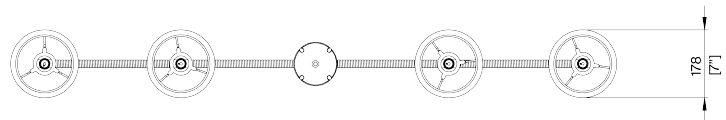
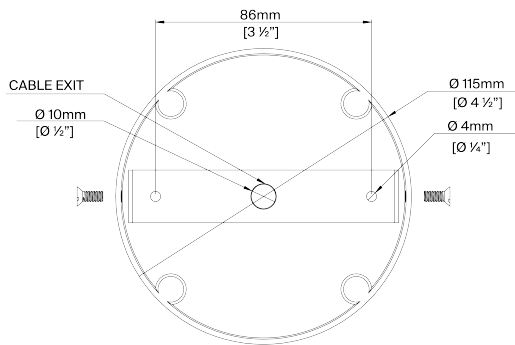
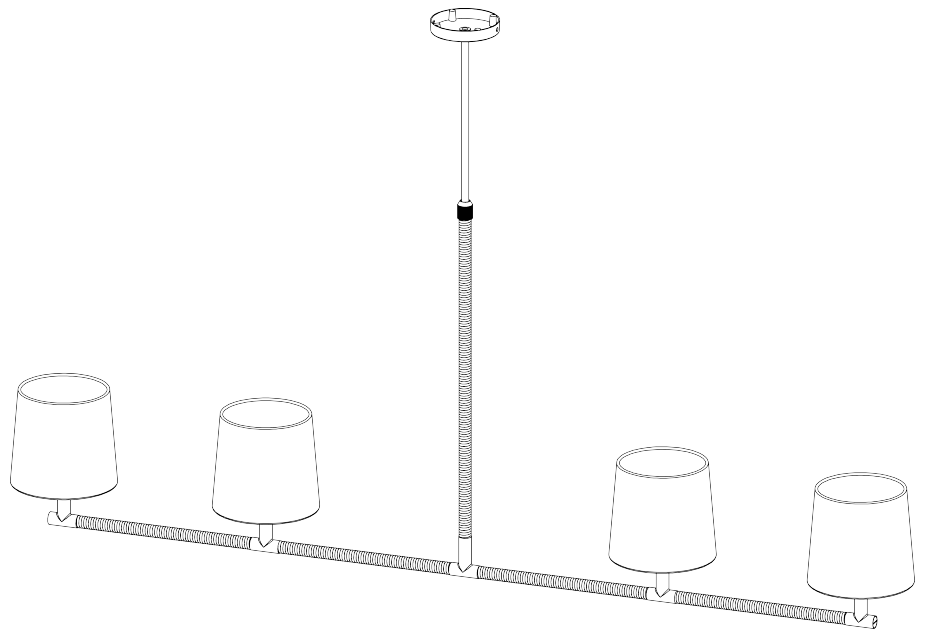
HEIGHT
665mm | 26 1/4"

WIDTH
1265mm | 50"

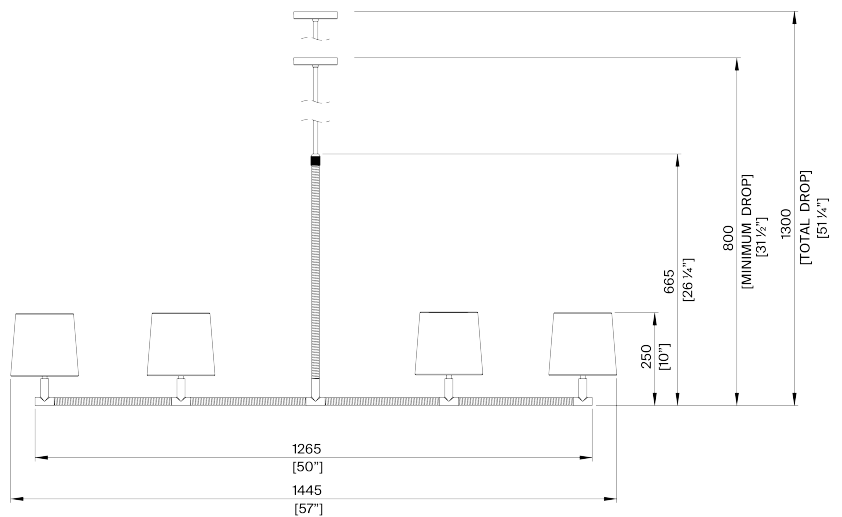
WIDTH WITH SHADE
1445mm | 57"

MINIMUM DROP
800mm | 31 1/2"

TOTAL DROP
1300mm | 51 1/4"



CEILING ROSE DETAIL



© Porta Romana 2023

Dimensions and weights are provided as a guide. All Porta Romana Products are made by hand and variations can occur in some products. The products you are buying or marketing are exclusive designs belonging to Porta Romana. Please do not submit design sheets featuring our products to other manufacturing companies nor to other parties who might. Any manufacturer found to be reproducing Porta Romana products will be breaching copyright law and will be actively pursued