

PORTA ROMANA



Matilda Pendant Medium

MCL95M | Black with Etched Gold

Black with Etched Gold

HEIGHT
330mm | 13"

CONSTRUCTED FROM
Cast composite and metal with
decorative finish

LAMP
320lm (3w) LED G9 Capsule



WIDTH
230mm | 9 1/4"

WEIGHT
2.5 KG | 5 3/4 lbs

WATTAGE
25W

MINIMUM DROP
400mm | 15 3/4"

VOLTAGE
220-240V

TOTAL DROP
1300mm | 51 1/4"

FINISHES

Plaster White with Cream Etched Gold
Black with Etched Gold

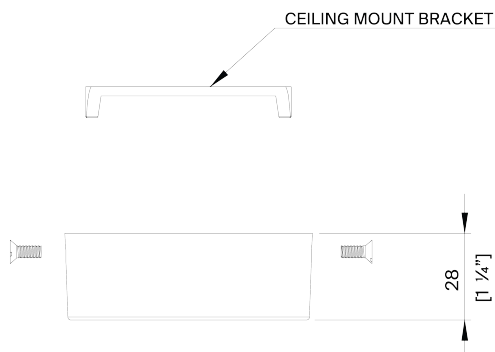
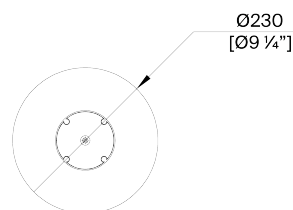
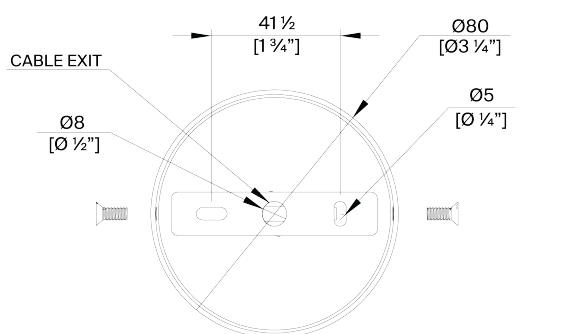
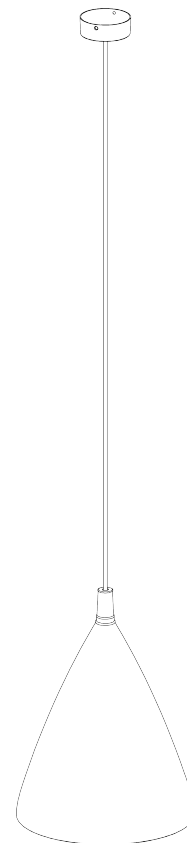
Matilda Pendant Medium MCL95M

HEIGHT
330mm | 13"

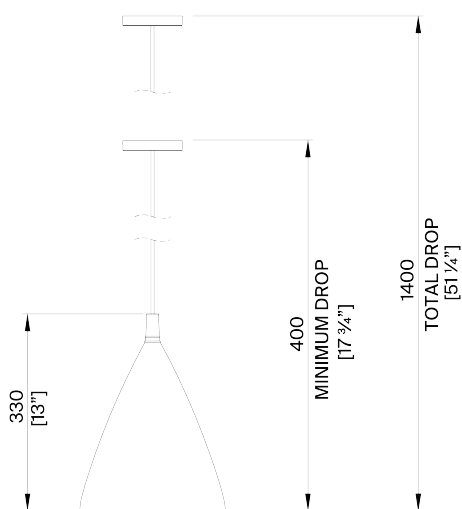
WIDTH
230mm | 9 1/4"

MINIMUM DROP
400mm | 15 3/4"

TOTAL DROP
1300mm | 51 1/4"



CEILING ROSE DETAIL



© Porta Romana 2023

Dimensions and weights are provided as a guide. All Porta Romana Products are made by hand and variations can occur in some products. The products you are buying or marketing are exclusive designs belonging to Porta Romana. Please do not submit design sheets featuring our products to other manufacturing companies nor to other parties who might. Any manufacturer found to be reproducing Porta Romana products will be breaching copyright law and will be actively pursued