

PORTA ROMANA



Matilda Pendant Large

MCL95L | Black with Etched Gold

Black with Etched Gold

HEIGHT
390mm | 15 1/2"

CONSTRUCTED FROM
Cast composite and metal with
decorative finish

LAMP
LED Supplied Fitted



WIDTH
280mm | 11 1/4"

WEIGHT
3.5KG | 7 3/4 Lbs

WATTAGE
6W

MINIMUM DROP
500mm | 19 3/4"

VOLTAGE
220-240V

TOTAL DROP
1400mm | 55 1/4"

FINISHES

Plaster White with Cream Etched Gold
Black with Etched Gold

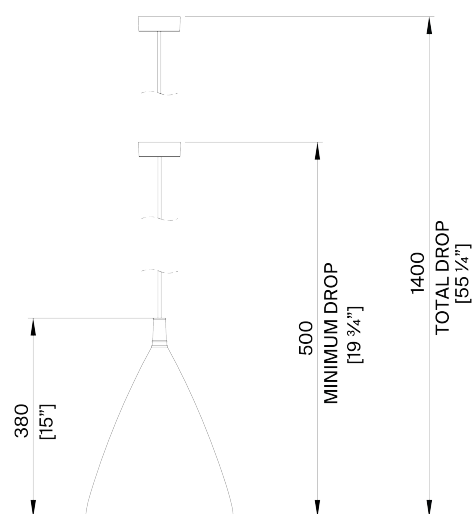
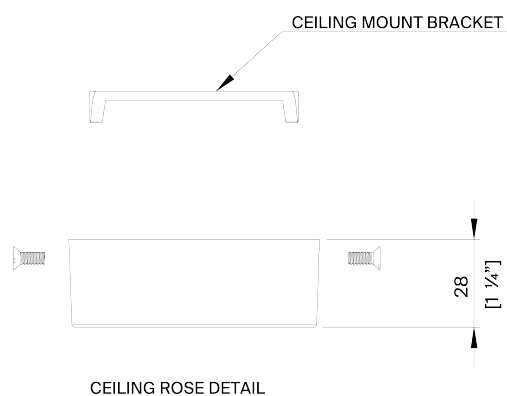
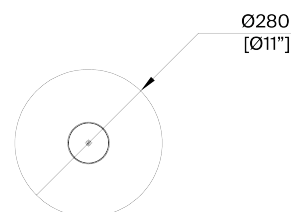
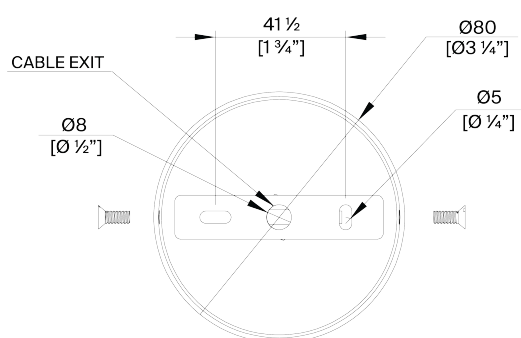
Matilda DYbXUbhLarge MCL95L

Height
390mm | 15 1/2"

Width
280mm | 11 1/4"

Minimum Drop
500mm | 19 3/4"

TOTAL DROP
1400mm | 55 1/4"



© Porta Romana 2023

Dimensions and weights are provided as a guide. All Porta Romana Products are made by hand and variations can occur in some products. The products you are buying or marketing are exclusive designs belonging to Porta Romana. Please do not submit design sheets featuring our products to other manufacturing companies nor to other parties who might. Any manufacturer found to be reproducing Porta Romana products will be breaching copyright law and will be actively pursued