

PORTA ROMANA



Holden Linear Pendant Uplight

MCL102 | Dark Cane with Brass

Dark Cane with Brass

HEIGHT
900mm | 35 1/2"

CONSTRUCTED FROM
Steel and brass with wrapped cane

RECOMMENDED SHADE
7" Bongo

WIDTH
650mm | 25 3/4"

WEIGHT
3 kgs | 6 3/4" lbs

LAMP
2 x 450lm (5w) LED E14
Candle

WIDTH WITH SHADE
830mm | 32 3/4"

WATTAGE
25W

MINIMUM DROP
920 mm | 36 1/4"

VOLTAGE
220-240V

TOTAL DROP
1300mm | 51 1/2"

FINISHES

Dark Cane with Antique Brass
Dark Cane with Brass

Holden Linear Pendant Downlight MCL102

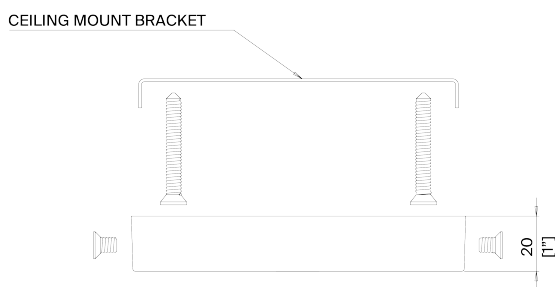
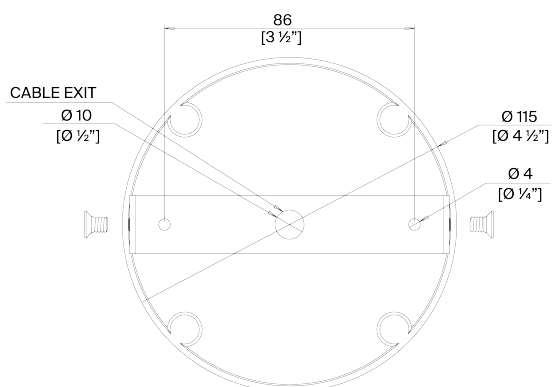
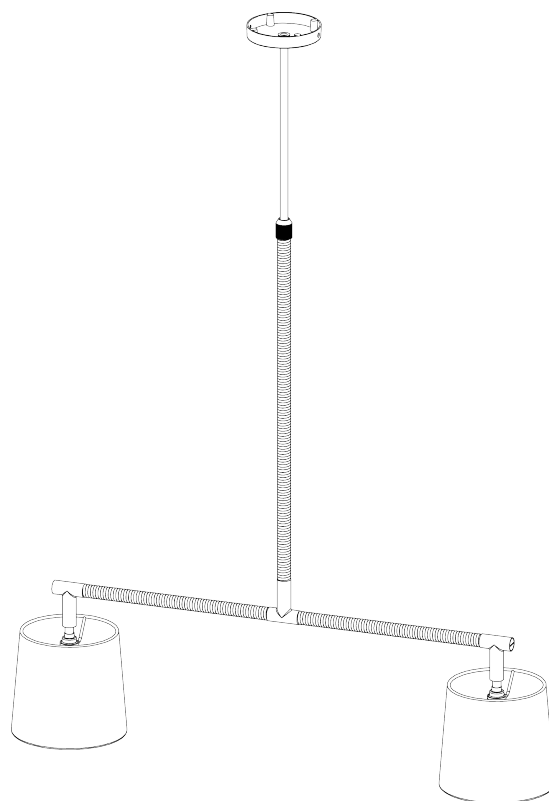
HEIGHT
900mm | 35 1/2"

WIDTH
650mm | 25 3/4"

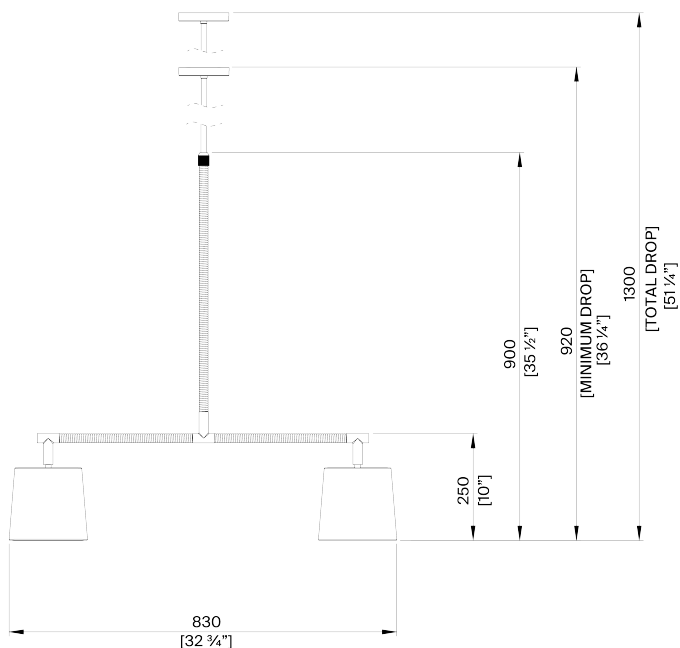
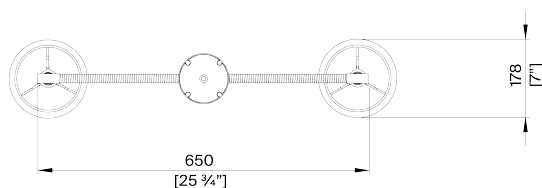
WIDTH WITH SHADE
830mm | 32 3/4"

MINIMUM DROP
920 mm | 36 1/4"

TOTAL DROP
1300mm | 51 1/2"



CEILING ROSE DETAIL



© Porta Romana 2023

Dimensions and weights are provided as a guide. All Porta Romana Products are made by hand and variations can occur in some products. The products you are buying or marketing are exclusive designs belonging to Porta Romana. Please do not submit design sheets featuring our products to other manufacturing companies nor to other parties who might. Any manufacturer found to be reproducing Porta Romana products will be breaching copyright law and will be actively pursued

PR

PORTAROMANA.COM