

PORTA ROMANA



Holden Linear Pendant Uplight

MCL101 | Dark Cane with Brass

Dark Cane with Brass

HEIGHT
665mm | 26 1/4"

CONSTRUCTED FROM
Steel and brass with wrapped cane

RECOMMENDED SHADE
7" Bongo

WIDTH
1265mm | 50"

WEIGHT
5kg | 11 1/4 lbs

LAMP
4 x 450lm (5w) LED E14
Candle

WIDTH WITH SHADE
1445mm | 57"

MINIMUM DROP
800mm | 31 1/2"

WATTAGE
25W

TOTAL DROP
1300mm | 51 1/4"

VOLTAGE
220-240V

FINISHES

Dark Cane with Antique Brass
Dark Cane with Brass

HOLDEN LINEAR PENDANT UPLIGHT MCL101

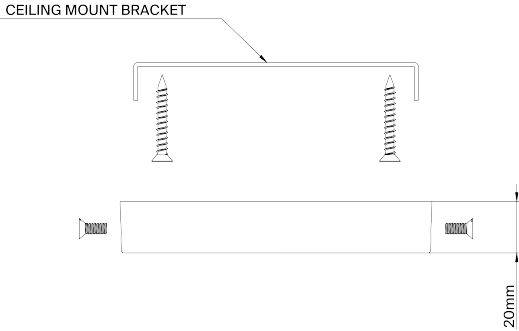
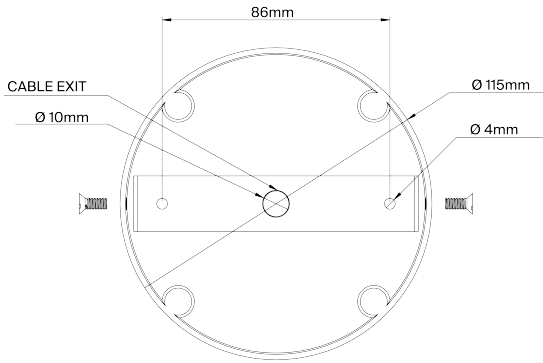
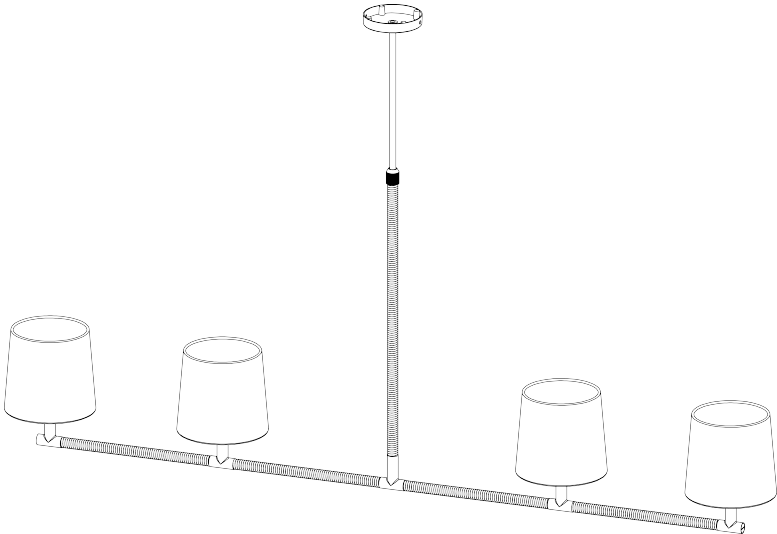
HEIGHT
665mm | 26 1/4"

WIDTH
1265mm | 50"

WIDTH WITH SHADE
1445mm | 57"

MINIMUM DROP
800mm | 31 1/2"

TOTAL DROP
1300mm | 51 1/4"



CEILING ROSE DETAIL

